

PPS HD

USER'S GUIDE

Configurable Siren & Public-Address

PPS-HD/A - P/N: P0050F0001
PPS-HD/B - P/N: P0050F0002



PPS-HD/A - P/N P0050F0001

Configurable Siren
4 control inputs
Real time monitoring
Output voltage control



PPS-HD/B - P/N P0050F0002

Configurable Siren
equipped with a Public-Address
4 control inputs
Real time monitoring
Output voltage control

Due to technological advances, the manufacturer reserves the right to modify the characteristics of this product without notice

1. PPS HD

Safety and precautions

The safety of future users of this product depends on your installation. Therefore, it is critical that you read, understand, and follow all instructions contained in this installation guide.

Some instructions and precautions that must be applied are listed below :

- ✎ To install this equipment correctly, it is essential to have the understanding and the technical skills for the installation of automobile electronics.
- ✎ Never install any devices or accessories inside the airbag deployment area. Such installation might reduce the effectiveness of the airbag or prevent it from being deployed. It can also potentially damage or dislodge the device, causing serious or fatal injuries.
- ✎ If you need to drill a hole in the dashboard, make sure that both sides are completely free to avoid damaging the vehicle.
- ✎ Always install the console or the power module in a ventilated area, and never close to a heat source.
- ✎ It is imperative to dimension correctly all wires installed and connected to the positive battery terminal (see the chart on page 2) and protected by a proper fuse placed as close as possible to the battery.
- ✎ To ensure a correct operation of the device installed, it is necessary to make a perfect connection to the negative terminal. The negative output of the device must be connected to the negative terminal of the battery as directly as possible.
- ✎ The same applies to any elements controlled by the installed device.
- ✎ Make sure that none of the vehicle's original controls are affected by the installed device.
- ✎ Place this installation guide in a safe place and refer to it when necessary and for each installation.
- ✎ Failure to follow safety guidelines and instructions may cause material damages, injuries, or death to you and to others.

2. PPS HD

Dimensioning of electric wires

It is essential and mandatory to dimension electrical wires correctly according to the currents used and the length of the wires.

Failure to dimension correctly may cause fire inside the vehicle.

ABACUS FOR THE DIMENSIONING OF ELECTRIC WIRES

WIRE		MAXIMUM AUTHORISED CURRENT IN THE WIRES																	
mm ²	AWG	5A		10A		15A		20A		25A		30A		35A		40A		45A	
0.34	22	1.8m	6 Feet	0.9m	3 Feet	X	X	X	X	X	X	X	X	X	X	X	X	X	X
0.5	20	2.9m	9.5 Feet	1.5m	5 Feet	0.9m	3 Feet	X	X	X	X	X	X	X	X	X	X	X	X
0.75	18	4.5m	15 Feet	2.2m	7.5 Feet	1.5m	5 Feet	1.2m	4 Feet	0.9m	3 Feet	X	X	X	X	X	X	X	X
1.5	16	7.5m	24.5 Feet	3.5m	12 Feet	2.4m	8 Feet	1.8m	6 Feet	1.5m	5 Feet	X	X	X	X	X	X	X	X
2.5	14	12m	39 Feet	6m	19.5 Feet	4m	13 Feet	2.8m	9.5 Feet	2.5m	8 Feet	2m	6.5 Feet	1.6m	5.5 Feet	1.5m	5 Feet	1.3m	4.5 Feet
4	12	20m	62 Feet	9.5m	31 Feet	6m	20.5 Feet	4.7m	15.5 Feet	3.8m	12.5 Feet	3.2m	10.5 Feet	2.7m	9 Feet	2.3m	7.5 Feet	2.1m	7 Feet
6	10	30m	98 Feet	15m	49 Feet	10m	32.5 Feet	7.5m	24.5 Feet	6m	19.5 Feet	5m	16.5 Feet	4.2m	14 Feet	3.8m	12.5 Feet	3.3m	11 Feet
10	8	48m	156 Feet	24m	78 Feet	16m	52 Feet	11.8m	39 Feet	9.4m	31 Feet	8m	26 Feet	6.8m	22.5 Feet	5.9m	19.5 Feet	5.3m	17.5 Feet
16	6	75m	248 Feet	37m	124 Feet	25m	82.5 Feet	18.8m	62 Feet	15m	49.5 Feet	12.6m	41.5 Feet	10m	35.5 Feet	9.4m	31 Feet	8.3m	27.5 Feet
25	4	120m	395 Feet	60m	197 Feet	40m	131 Feet	30m	98.5 Feet	24m	79 Feet	20m	66 Feet	17m	56.5 Feet	15m	49.5 Feet	13.4m	44 Feet
35	2	190m	629 Feet	95m	314 Feet	63m	209 Feet	47m	157 Feet	38m	125 Feet	31m	104 Feet	27m	89.5 Feet	2.9m	78.5 Feet	21m	69.5 Feet

FILS		MAXIMUM AUTHORISED CURRENT IN THE WIRES																	
mm ²	AWG	50A		55A		60A		65A		70A		75A		80A		85A		90A	
0.34	22	X	X	X	X	X	X	X	X	X	X	X	X	X	X	X	X	X	X
0.5	20	X	X	X	X	X	X	X	X	X	X	X	X	X	X	X	X	X	X
0.75	18	X	X	X	X	X	X	X	X	X	X	X	X	X	X	X	X	X	X
1.5	16	X	X	X	X	X	X	X	X	X	X	X	X	X	X	X	X	X	X
2.5	14	1.2m	4 Feet	1m	3.5 Feet	0.9m	3 Feet	0.9m	3 Feet	0.9m	3 Feet	X	X	X	X	X	X	X	X
4	12	1.8m	6 Feet	1.7m	5.5 Feet	1.5m	5 Feet	1.5m	5 Feet	1.3m	4.5 Feet	1.2m	4 Feet	1.2m	4 Feet	1m	3.5 Feet	1m	3.5 Feet
6	10	3.0m	10 Feet	2.7m	9 Feet	2.4m	8 Feet	2.2m	7.5 Feet	2.1m	7 Feet	2m	6.5 Feet	1.8m	6 Feet	1.8m	6 Feet	1.6m	5.5 Feet
10	8	4.7m	15.5 Feet	4.2m	14 Feet	4m	13 Feet	3.6m	12 Feet	3.3m	11 Feet	3.2m	10.5 Feet	3m	10 Feet	2.7m	9 Feet	2.5m	8.5 Feet
16	6	7.6m	25 Feet	6.8m	22.5 Feet	6.2m	20.5 Feet	5.8m	19 Feet	5.3m	17.5 Feet	5m	16.5 Feet	4.7m	15.5 Feet	4.4m	14.5 Feet	4.2m	14 Feet
25	4	12m	39.5 Feet	11m	36 Feet	10m	33 Feet	9.2m	30.5 Feet	8.5m	28 Feet	8m	26.5 Feet	7.4m	24.5 Feet	7m	23 Feet	6.7m	22 Feet
35	2	19.2m	63 Feet	17.3m	57 Feet	16m	52.5 Feet	14.7m	48.5 Feet	13.7m	45 Feet	12.8m	42 Feet	11.8m	39 Feet	11.2m	37 Feet	10.6m	35 Feet

X = Insufficient

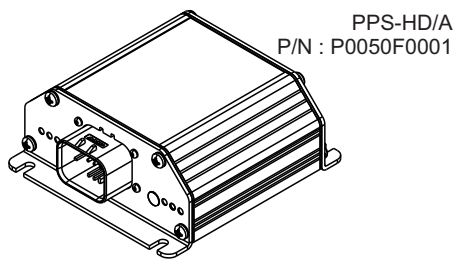
3. PPS-HD

Product Description

3.1 General description

The PPS-HD siren is intended for emergency-response vehicles. It is compatible with different kind of speakers 8/11/16ohms, max 100W. It is fully configurable manually or via the Console Express software. This siren incorporates 20 tones that can be combined to suit your needs. It is therefore possible to configure the siren with a maximum of 4 different tones, which can be concatenated via a "Klaxon" input or any other switch. A "vibrato", "Night" or "Vibrato & Night" effect function can be combined with each tone. The PPS-HD generator is IP66 then can be installed in humid place (please refer to the mounting instructions on page 7).

3.2 PPS-HD/A



PPS-HD/A - 4 inputs

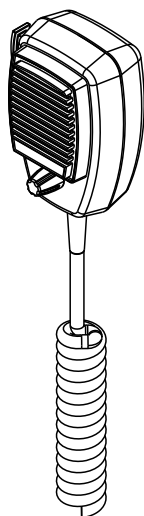
Input 1 :
Start/stop (pulse mode or level mode)

Input 2 or input 4:
Changing the tones 1, 2, 3 or 4 by pulse mode or tones 1 & 2 by level mode.
Each of the selected tones can be configured with either vibrato mode or night mode (reduced power output).

Input 3 :
By changing the memory slots, you can access from 1 to 4 other tones, which can be given identical parameters to input 2. Input 3 only works in level mode.

3.3 PPS-HD/B

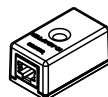
MICROPHONE PTT
P/N : P0040F0014



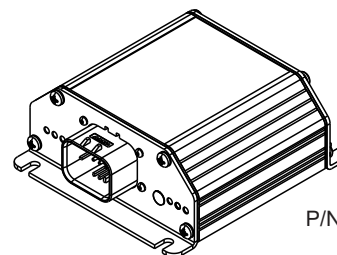
PPS-HD/B - 4 inputs & Public-address

Identical functions to version A, but equipped with a Public Address microphone.

This version requires the installation of an IC-Adapter version B to enable the interconnection of the various components.



IC-ADAPTER VERSION B
P/N : P0040F0050

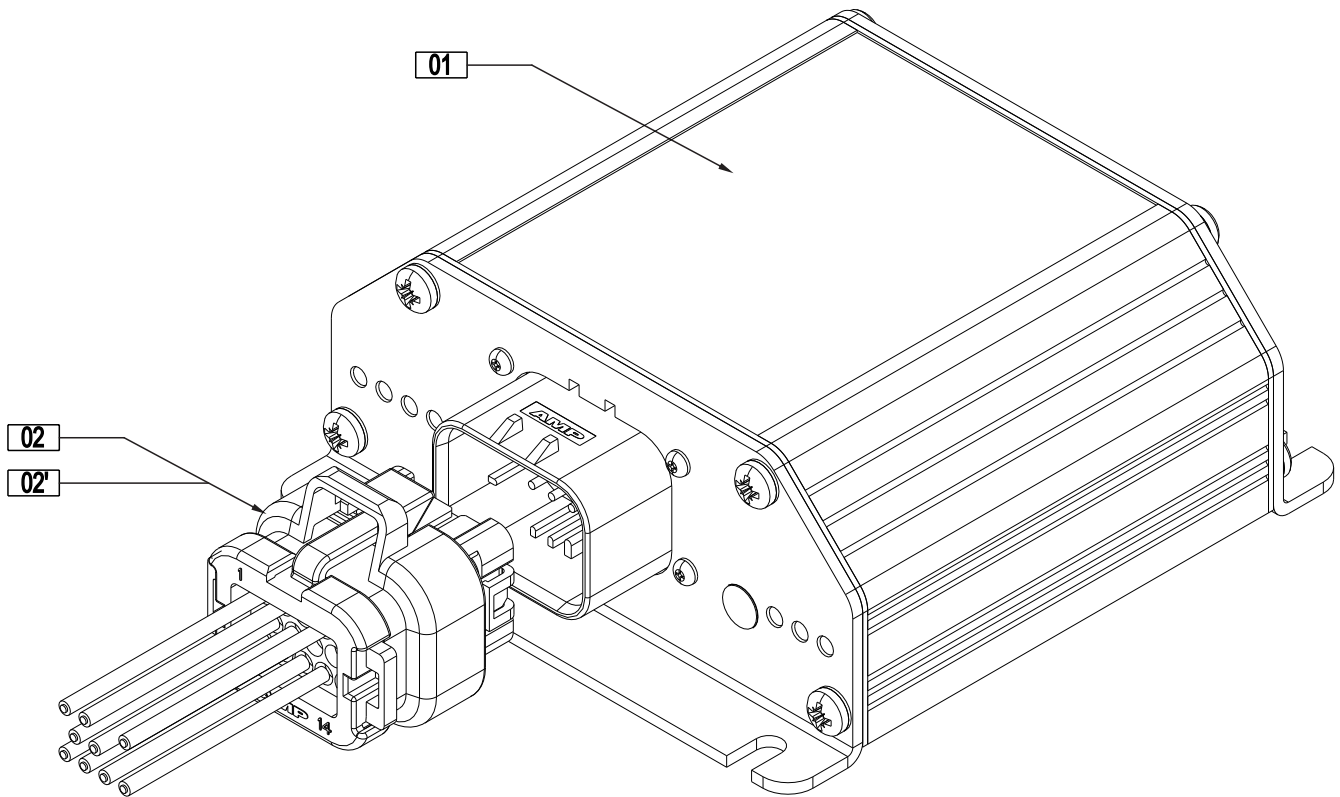


PPS-HD/B
P/N : P0050F0002

4. PPS HD

Elements Identification

4.1 PPS-HD/A - REF.P0050F0001



Item	P/N	DESCRIPTION	Qty
1	P0040F0054	PPS-HD/A siren generator	1
2	A4602B0810114	AMPSEAL connector 14 ways	1

Option : Pre-wired AMPSEAL connectors

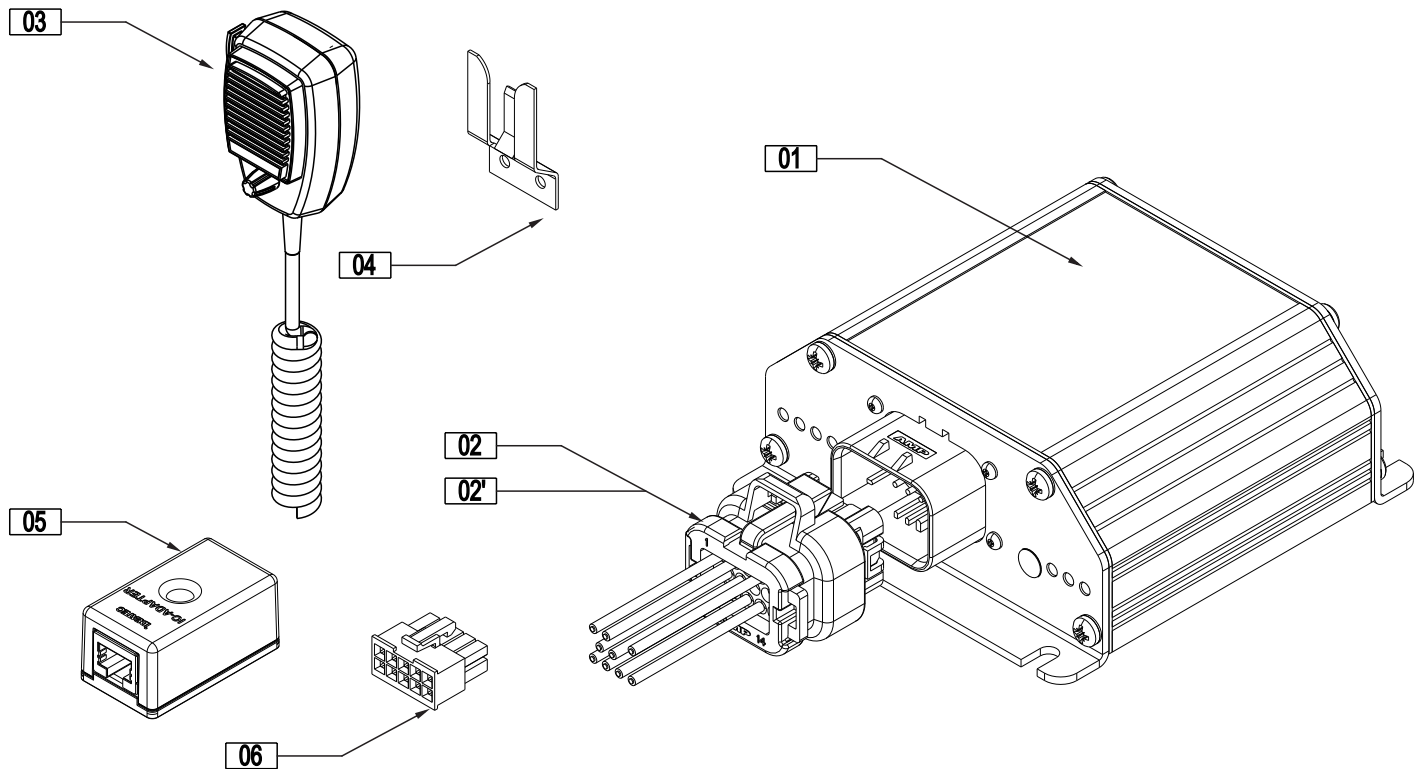
2'	P0020F0045	Pre-wired AMPSEAL connector 14 ways	1
----	------------	-------------------------------------	---

Kit connector reference : P035F0014

2	A4602B0810114	AMPSEAL connector 14 ways	1
/	A4602B0850001	Crimp Terminal contact Gold AMP SEAL	15

4. PPS HD Elements Identification (following)

4.2 PPS-HD/B - REF.P0050F0002



Item	P/N	DESCRIPTION	Qty
1	P0040F0055	PPS-HD/A siren generator	1
2	A4602B0810114	AMPSEAL connector 14 ways	1
3	P0040F0014	PPS-HD microphone	1
4	A1600B0102	Foot adaptor microphone	1
5	P0040F0050	IC-Adapter RJ45/Molex 8p	1
6	A4602B0140108	Molex connector 8p.	1

Option : Pre-wired AMPSEAL connectors

/	P0020F0045	Pre-wired AMPSEAL connector 14 ways	1
---	------------	-------------------------------------	---

Kit AMPSEAL connector reference : P035F0014

2'	A4602B0810114	AMPSEAL connector 14 ways	1
/	A4602B0850001	Crimp Terminal contact Gold AMP SEAL	15

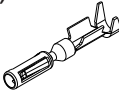
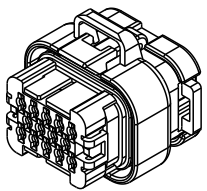
Kit MOLEX connector reference : P035F0007

6	A4602B0140108	Connector Molex MiniFit JR 8P	1
/	A4602B0162001	Crimp contact (AWG 18-24)	10

4. **PPS HD** Elements Identification (following)

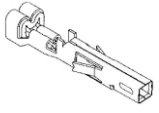
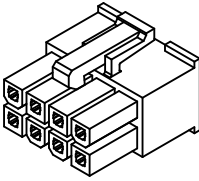
4.3 Connector AMPSEAL 14P. & Crimp contacts

The AMPSEAL connector 14 positions is necessary to connect inputs of the PPS-HD. Its contacts must be crimped with a suitable tool (see references below).

Qty	Description	P/N Ideatec	AMP Reference	Ref. Tool AMP
15	Gold Crimp terminal (AWG 20-24) 	A4602B0850001	770520-1	Crimp Tool 58529-1 With Die Assembly 58529-2
1	Connector AMPSEAL 14P 	A4602B0810114	770680-1	No Pin Extractor Needed

4.4 Connector Molex 8P. & Crimp contacts - PPS-HD/B only

The Molex connector (8 positions) is supplied with the PPS-HD/B to give you the opportunity to make the link between the microphone and siren generator (see diagram on page 12). These contacts must be crimped with a suitable tool (see references below).

Qty	Description	P/N Ideatec	Molex Reference	Ref. Tool Molex
20	Crimp contact (AWG 18-24) 	A4602B0162001	39-00-0039	Crimp Tool 069008-0724
2	Connector Molex MiniFit JR 8P 	A4602B0140108	39-01-2080	Pin Extractor 11-03-0044

5. PPS HD

Installation

5.1 PPS-HD module installation

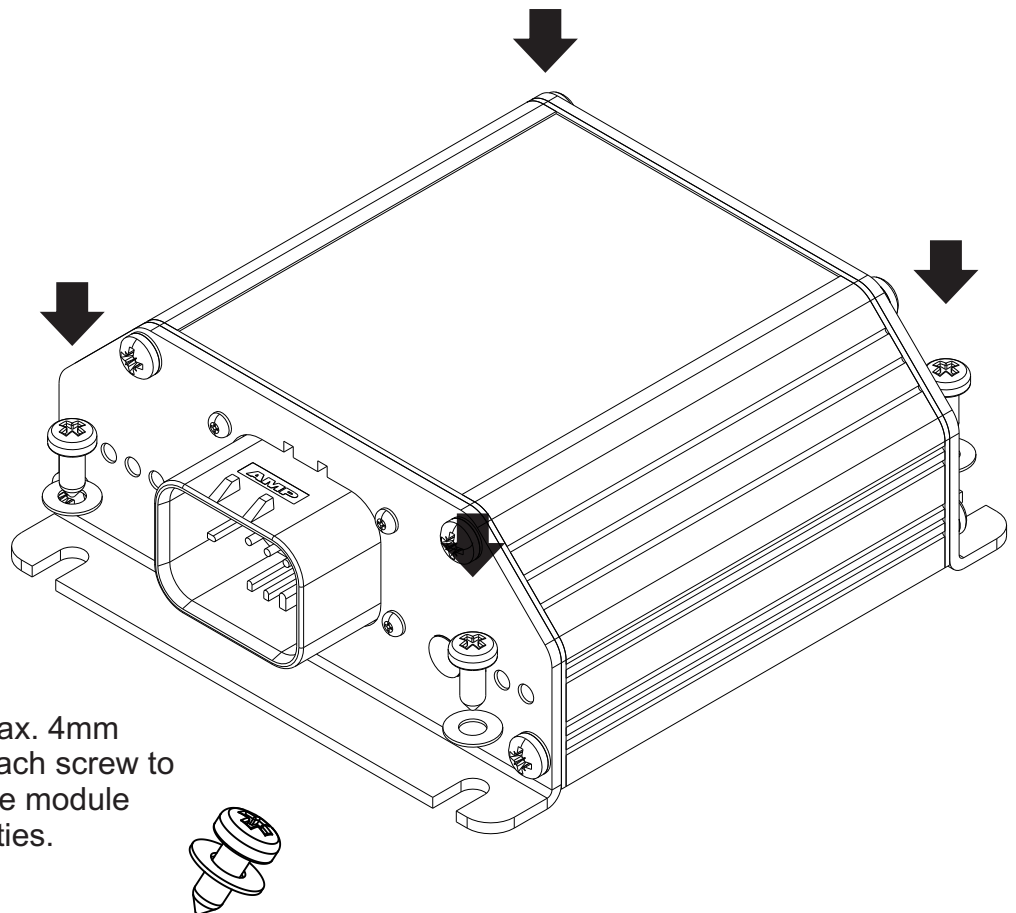
- Choose a flat surface and use 4 appropriate fixation screws.
- Always install the console or the power module in a ventilated area, and never close to a heat source.
- Take into account the size of the different connectors that will be added to the assembly.



Do not attempt to enlarge the mounting holes.



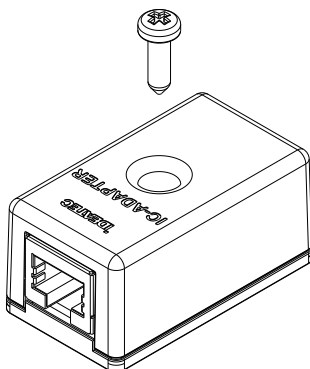
i Drilling template on page 9



Screw diameter is max. 4mm
Attach a flat washer to each screw to prevent damage to the module attachment cavities.



5.2 Installing the IC-Adapter



- Choose a flat surface and use the appropriate fixation screw.
- Take into account the size of the different connectors that will be added to the assembly.

The IC-Adapter must be protected against humidity.



Do not attempt to enlarge the mounting holes.



6. PPS HD

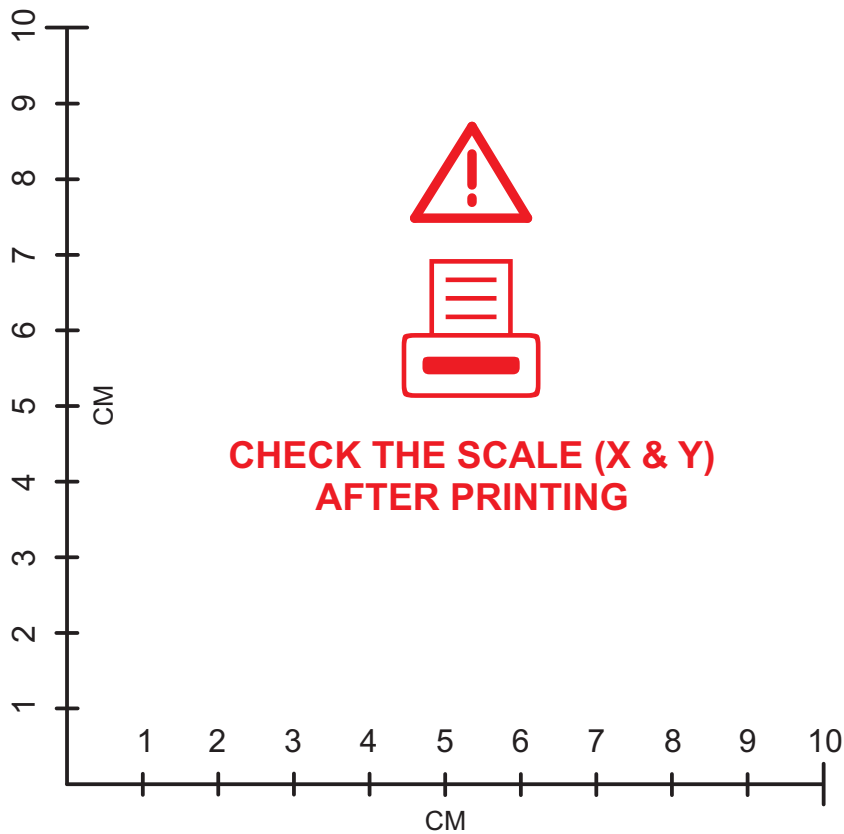
Drilling Templates

6.1 Controlling the Template Scale after Printing

ATTENTION

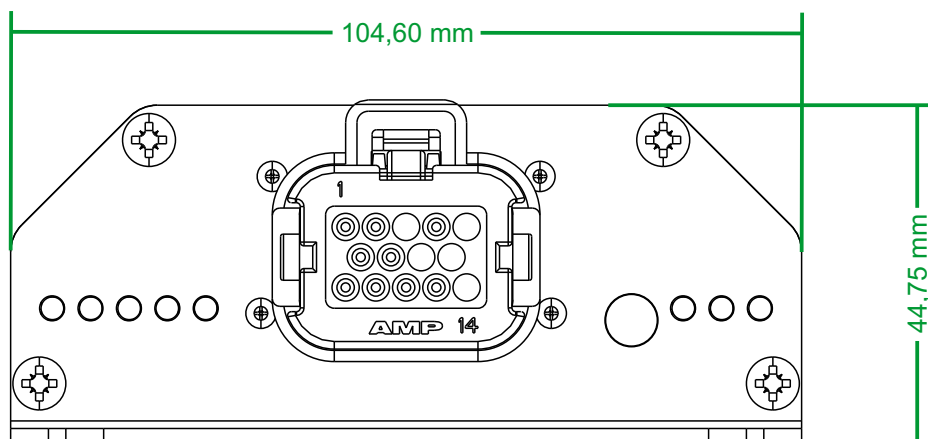
⚠ THE DRILLING TEMPLATES WERE CREATED BY THE EDITOR USING A 1:1 SCALE. FOR THIS REASON, SOME PRINTERS OR PRINTING SOFTWARE MAY CAUSE DISTORTIONS ON PRINTING. YOU SHOULD VERIFY THE SCALE BEFORE USING THE TEMPLATES BELOW. ⚠

The rulers below allow you to control the scale on the two axes :



6.2 PPS-HD Module

6.2.1 Front view

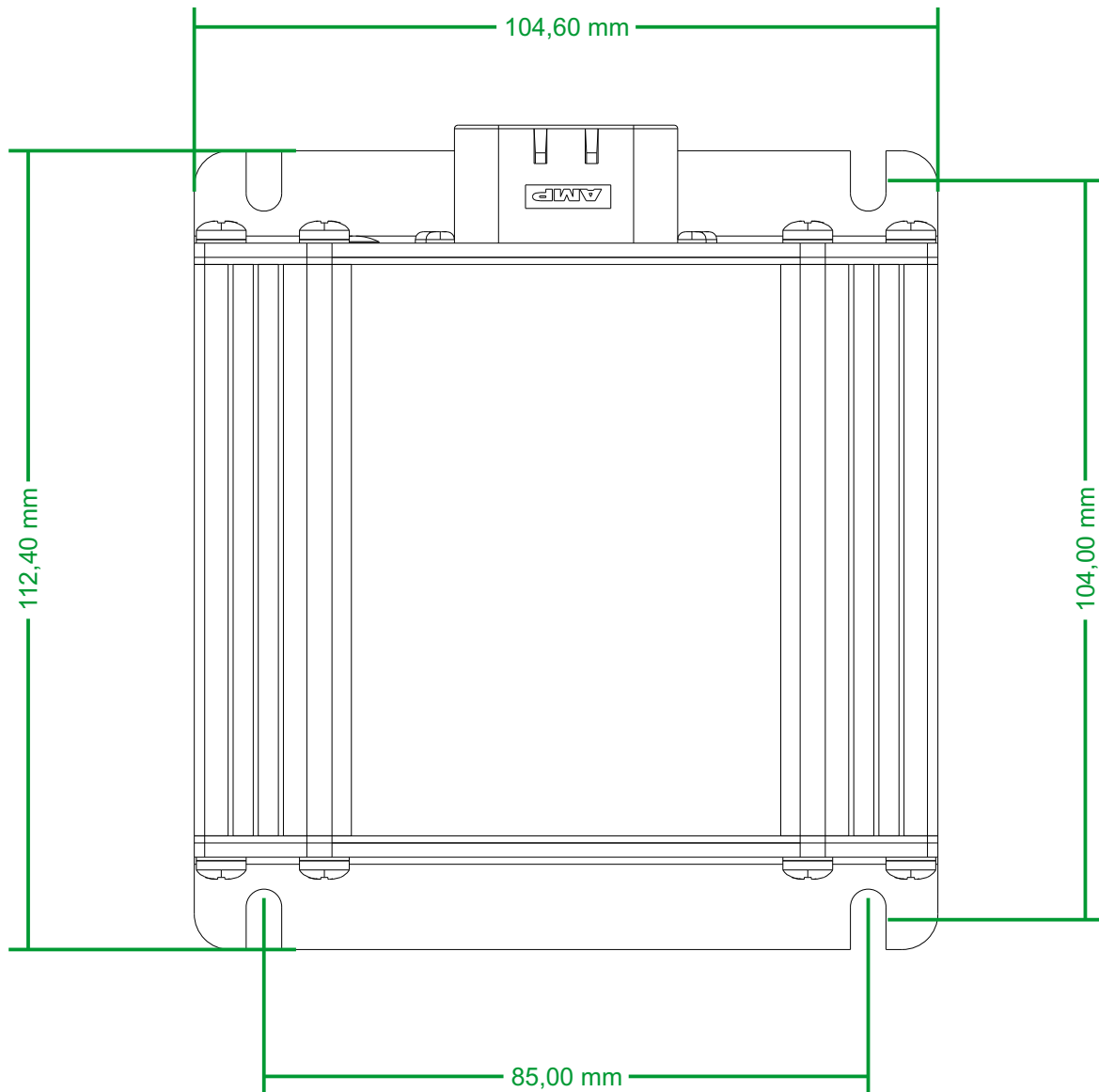


6. **PPS HD**

Drilling Templates (following)

6.2 PPS-HD Module (following)

6.2.2 Upper view



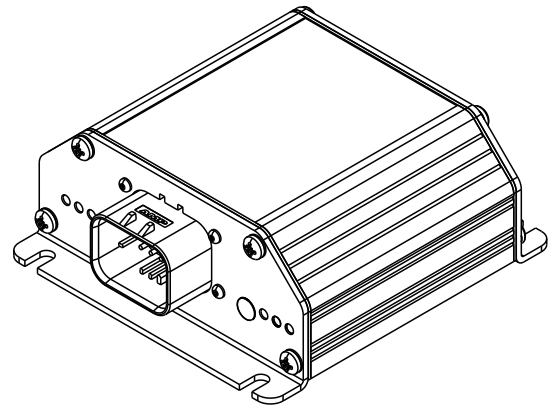
**CHECK THE SCALE (X & Y)
AFTER PRINTING**

7. PPS HD

Technical Characteristics

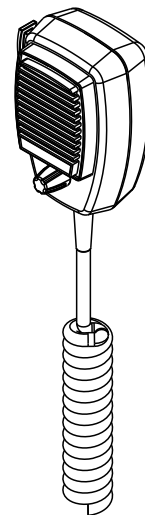
7.1 General characteristics of the Siren Module

Operating Voltage	: from 10 VDC to 30VDC
Consumption	: from 5 to 6A
Consommation à vide	: 34mA
Conformity CEM R10	: E13-10R-13171
Temperature range	: from -20°C to +60°C
Weight of the PPS module	: 385 gr.
Dimensions (L x l x h)	: 112 x 105 x 45 mm



7.2 General characteristics of the microphone

Operating Voltage	: +5 VDC
Conformity CEM R10	: E13-10R-13171
Temperature range	: from -20°C to +60°C
Weight of the PPS module	: 115 gr.
Dimensions (L x l x h)	: 95 x 70 x 35 mm

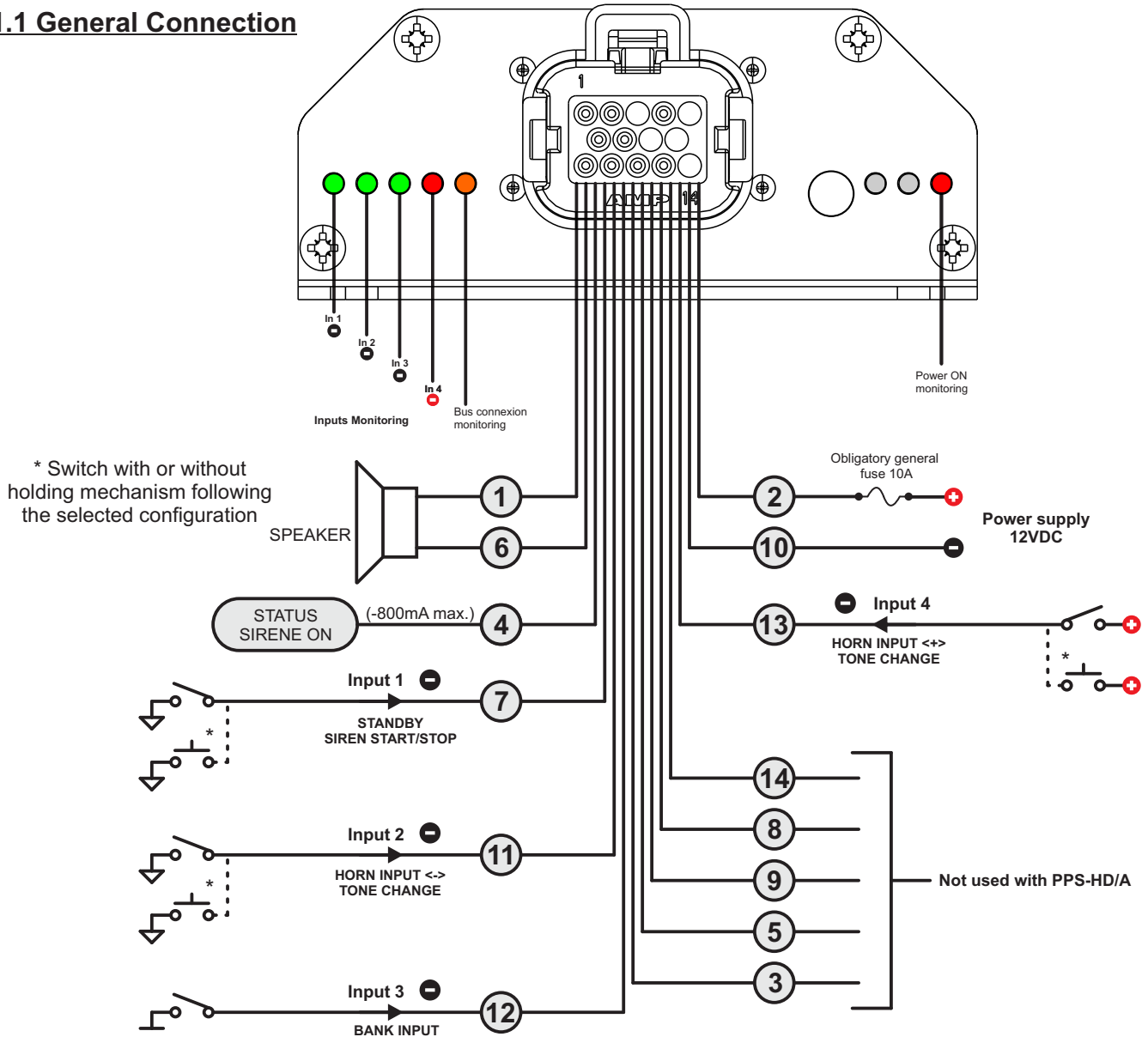


8. PPS-HD

PPS-HD Connecting

8.1 PPS-HD /A

8.1.1 General Connection



8.1.2 PPS-HD /A - Operation of the 4 inputs

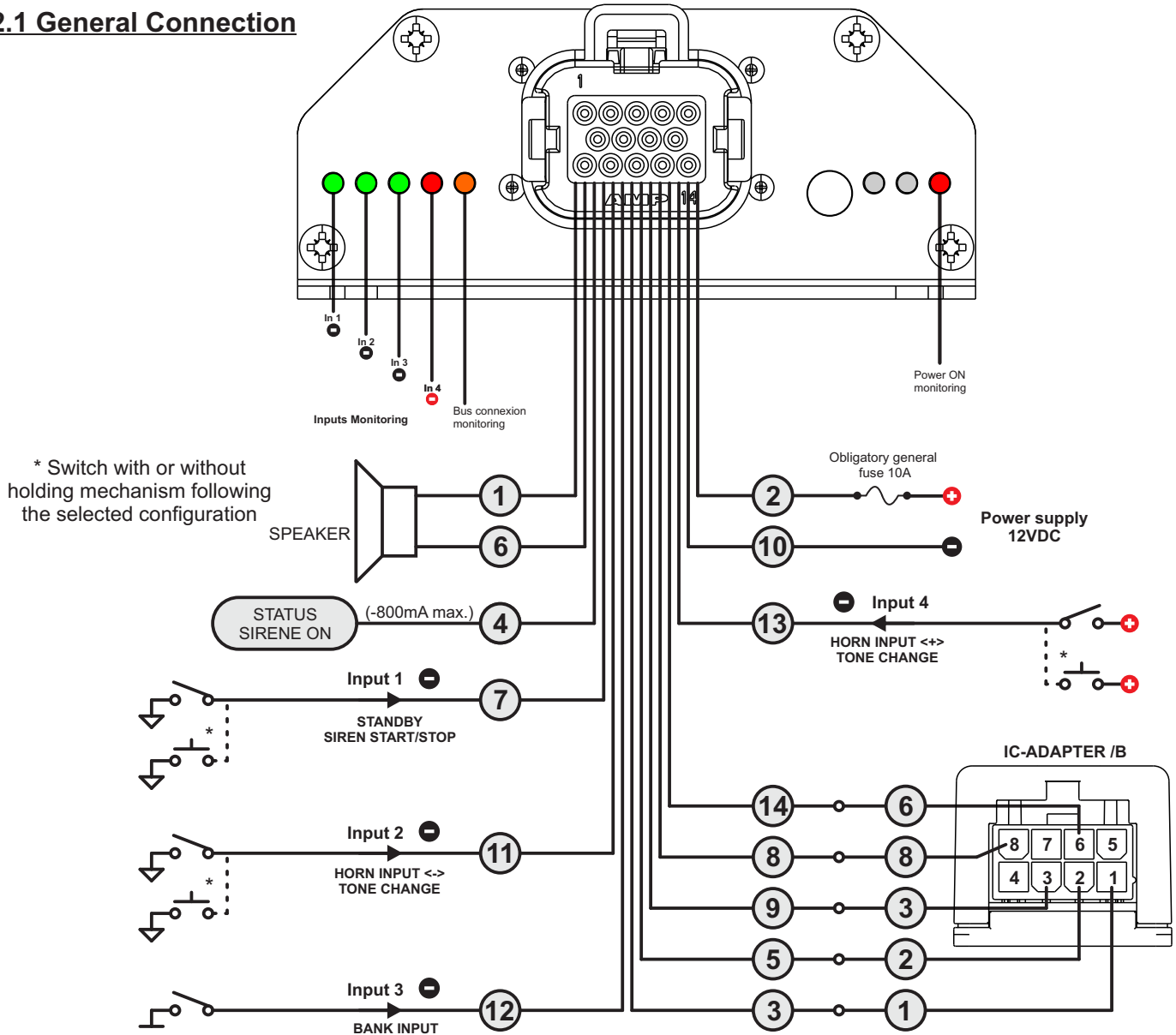
INPUT	FUNCTION
N° 1	"Standby" function if connected to a negative signal. The configuration allows you also to work in "pulse" mode. The default configuration requires a holding mechanism.
N° 2	The "Tone change" function if connected to a negative signal. The configuration allows you also to work in "pulse" mode. The default configuration requires a holding mechanism. This function is more commonly activated by the signal aligned with the vehicle horn, but can also be aligned with the handbrake. This input is also equipped with a "long press" function to which different tones can be added (the Horn tone for example).
N° 3	The "Memory bank tones" function if connected to a negative signal. This input allows you to move to other tones stored in the second memory bank tones during configuration. This input requires a maintained signal.
N° 4	The positive input can be used as a tone changed function. In this case you can connect it with vehicle horn. It can also be aligned with the ignition signal.

8. PPSHD

PPS-HD Connecting (following)

8.2 PPS-HD /B

8.2.1 General Connection



8.2.2 PPS-HD /B - Operation of the 4 inputs

INPUT	FUNCTION
N° 1	"Standby" function if connected to a negative signal. The configuration allows you also to work in "pulse" mode. The default configuration requires a holding mechanism.
N° 2	The "Tone change" function if connected to a negative signal. The configuration allows you also to work in "pulse" mode. The default configuration requires a holding mechanism. This function is more commonly activated by the signal aligned with the vehicle horn, but can also be aligned with the handbrake. This input is also equipped with a "long press" function to which different tones can be added (the Horn tone for example).
N° 3	The "Memory bank tones" function if connected to a negative signal. This input allows you to move to other tones stored in the second memory bank tones during configuration. This input requires a maintained signal.
N° 4	The positive input can be used as a tone changed function. In this case you can connect it with vehicle horn. It can also be aligned with the ignition signal.

9. **PPS HD**

Configuration Software

9.1 Console Express introduction

The all-new version of IDEATEC ConsoleExpress allows you to configure not only the PPS-HD product, but also the CanRis, MC8+, MC-DUO, PolyPM, PPS & MuxLine. This high-performance and user-friendly software allows you to configure all of these products quickly and easily.

Additionally, to make updates easier, IDEATEC offers to each license owner a free "Live Update" system that can be downloaded from our website.

The ConsoleExpress for Windows software can be downloaded from our website www.ideatec.be by clicking on « Downloads ». Once the file is downloaded, simply run it and follow the instructions on the screen. Attention, the user license is associated with the PC, and the installation requires an Internet connection. Remember, the software is not free. The registration key for the product is sent by e-mail after payment is received. For more information, please ask your reseller.

IDEATEC | AUTOMOTIVE TOOLS
Console Express
Version 6

Compatible with the products :
CanRis
PolyPM
MC8+ & MC-DUO
PPS & MuxLine

More info : www.ideatec.be

IDEATEC

The user license for the ConsoleExpress software is not free. If you wish to obtain a user license for this software, please contact your reseller. We will then provide you with a registration key for the product. Please do not hesitate to contact us for any additional information through info@ideatec.be.

9. PPS HD Configuration Software (following)

9.2 Console Express installation

When you have bought the Console Express kit and licence, you can install the Console Express software on your computer.

Verify that your computer is connected to internet and go to the Ideatec link :

<http://www.ideatec.be/cms/en/downloads>

Run the installation program and follow the instruction.

When Express Console is installed on your computer, you can start the configurator by clicking on :

Start ⇨ **All programs** ⇨ **IDEATEC Software** ⇨ **Console Express**

3 options are available for the first start :

- 1- **Exit** : you do not have any licence;
- 2- **Register the product** : you acquired the licence, you do not have the access code and you want get it;
- 3- **I have product key** : you have received an activation key and you want to encode it to use the Console Express software.



If you start for the first time Express Console, you must obtain an activation key. The only way to get it is to click the option "Register the product" then on the icon "Next" and fill out the form correctly.



Registration of ConsoleExpress Version 6.0

This software is reserved to professional customers and its licence is not free. We will send you a registration key as soon as you meet the conditions. Feel free to contact us for any information.

Registration for Console Express product is exclusively handled by IDEATEC S.A.

Fields in red are required.

Company	<input type="text"/>
Name	<input type="text"/>
Title	<input type="text"/>
Complete address	<input type="text"/>
Zip	<input type="text"/>
City	<input type="text"/>
Country	<input type="text"/>
E-mail	<input type="text"/>
Confirm E-mail	<input type="text"/>
Tel	<input type="text"/>
Fax	<input type="text"/>

Send to IDEATEC



ATTENTION : the form is the only way to obtain an access code. Any other request outside of the form can not be considered.

9. **PPS HD** Configuration Software (following)

9.2 Console Express installation (continued)

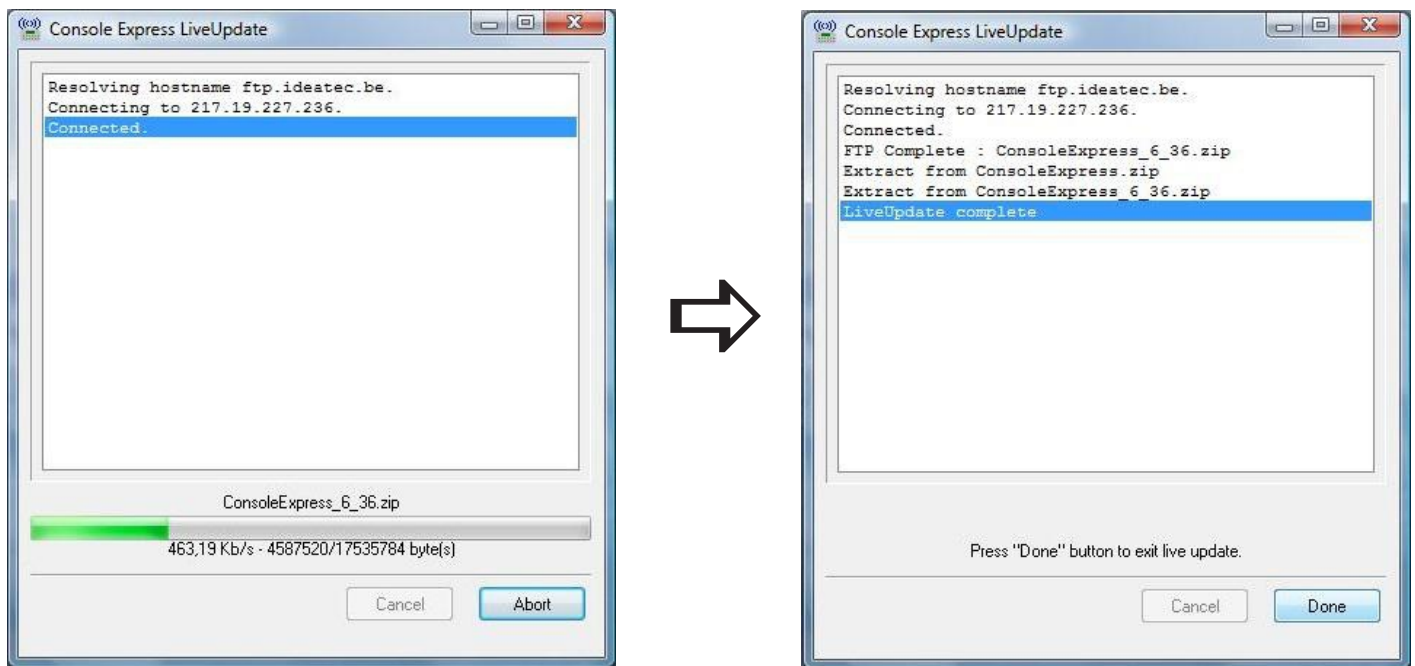
When you have completed the form, click the icon "Send To IDEATEC".
You will receive your access code on the email address mentioned in the form.

Restart Console Express, select "I have a product key" and enter your access code.

To make sure that you have the latest version of Express Console, it is strongly recommended that you run the automatic update. Before proceeding with the update, close the Console Express and make sure your computer has good internet connection and click:

Start ⇨ **All programs** ⇨ **IDEATEC Software** ⇨ **Liveupdate**

A new window "Console Express Liveupdate" opens and allows you to start the update by clicking on the icon "Next".



When the update is downloaded, the message « LiveUpdate complete » is displayed on the window. You can click on the icon « Done » and restart the Console Express software.

10. PPS-HD

PPS-HD - Parameters

Possible arrangements via the Console Express software

10.1 PPS-HD /A & /B available functions

- ON/OFF Function (Hibernate)
- Selection of 1 to 4 tones from the 20 available tones.
- Vibrato and Night functions allocated to each of the selected tones
- Possible to concatenate the selected tones via the signal originating from the Klaxon
- Possible to activate another tone during a defined number of cycles (2 to 8 cycles)
- Management of the long press key (2 seconds) to activate another tone (Horn function)

10.2 PPS-HD /B extra function

- Public-Adress function with volume adjustment.

10.3 Available tones list

Country	TONES	HOMOLOGATIONS
France	Police	TP POL 05014
	Gendarmerie	TP GEN 05015
	Pompiers	TP SPO 05016
	Samu UMH	TP UMH 05017
	Ambulance	TP ASA 05011
Austria	Police	-
	Ambulance	-
	Pompiers	-
Germany	Stadt	Current
	Land	Current
	Yelp	Current
Switzerland	Priority vehicles	CH-B01-08010
The Netherlands	2 tones slow	-
	2 tones fast	-
Italy	Police	-
	Ambulance	-
USA	Wail	-
	Yelp	-
	HI-LO	-
	Horn	-
	Phaser	-

10.4 Factory tones

The PPS-HD siren is configured by default as follows:

- Tone 1 : Ambulance (France) + Night function (in tone bank 2)
- Tone 2 : Samu UMH (France) + Night function (in tone bank 2)

11. PPS-HD PPS-HD - General configuration

11.1 Console Express communication parameters

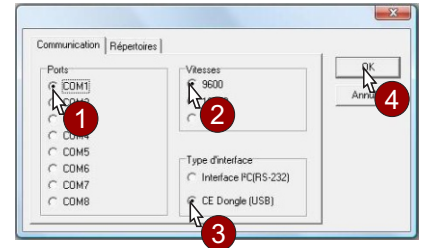
The PPS-HD sirens A or B can be configured via the Console Express software and its interface. It does exist two kinds of interface : CE-Dongle USB or I2C Dongle RS-232. For all configurations, please follow the procedure indicated below.

Before to load the configuration, it is necessary to check the USB port number in Console Express to be sure that is the same as the port number given by your operating system.

When the Dongle is connected to your computer, see in your hardware config. and write the USB port number given by your operating system, example COM1.

Then open the window « Options » by clicking on the icon in Console Express (1) and select the right port number (2), example COM1 and the right speed 9600 Bauds (3).

Validate the parameters by clicking on OK (4).



ATTENTION : I2C Dongle RS-232 is only available on COM1 port.

11.2 Configuration with the CE-Dongle USB

11.2.1 CE-Dongle interface

CE-Dongle interface is connected between the computer which one you mage your application on Console Express and the PPS-HD amplifier module.

Cables are provided with the CE-Dongle interface to make the connections between the different elements.



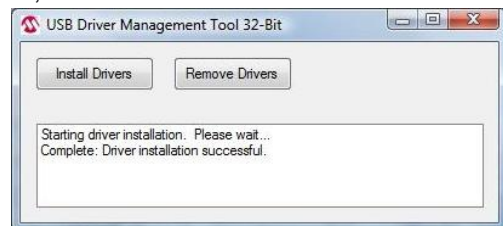
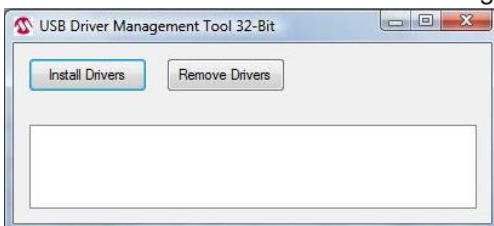
Item	P/N	DESCRIPTION	Qté
1	P0040F0041	CE-Dongle interface	1
2	P0010A0096	Cable USB-A/USB-B 2m. CE	1
3	P0020F0115	Cable Dongle/PPS PolyPM CE	1

11.2.2 CE-Dongle USB driver installation

PROCEDURE

○ Open an explorer window, go to C:\Programmes\Ideatec softwares\ConsoleExpress\drv\ and start the file USBDriverInstaller.exe.

○ When the window « USB Driver Management Tool 32-Bit » is open, click on the icon « Intall Drivers ».



Close the window when the installation is complete. The CE-Gongle USB driver will be automatically installed when the interface will be connected to the computer.

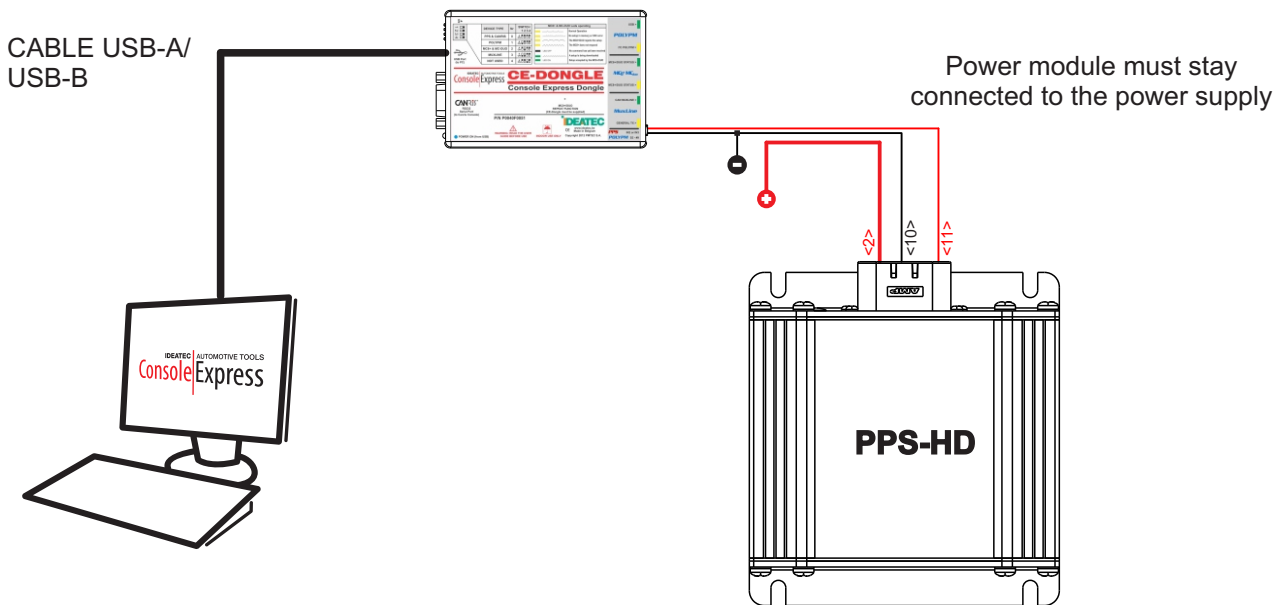
11. PPS HD PPS-HD general configuration (following)

11.2 Configuration with CE-Dongle USB (following)

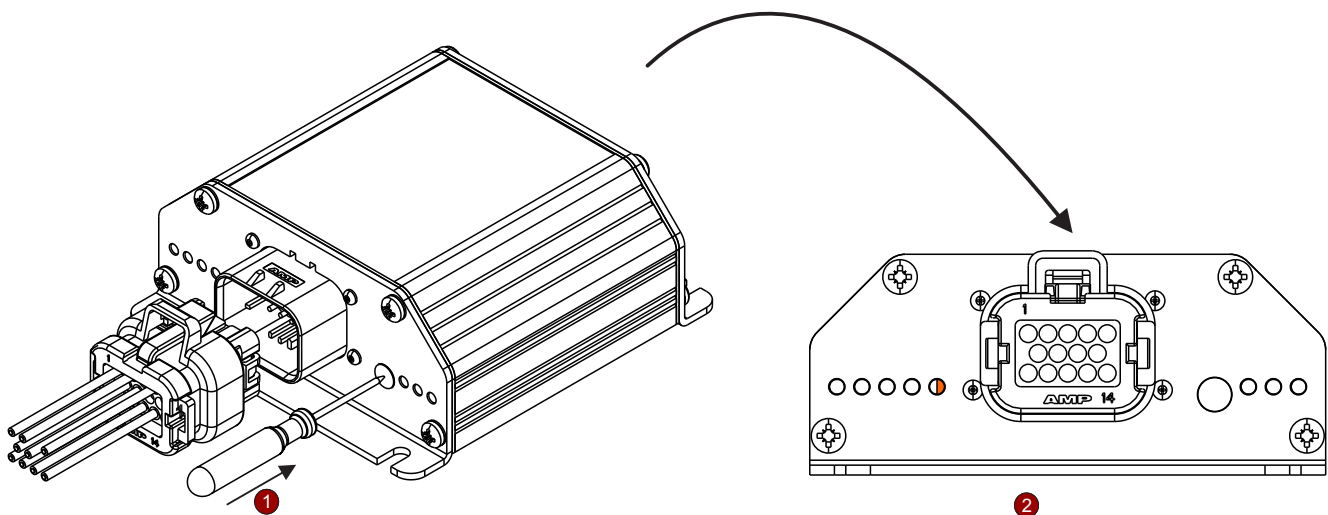
11.2.3 Global diagram connections

PROCEDURE

- No console is connected to the PPS-HD siren module.
- The PPS-HD siren module is powered (positive on input <2> and negative on input <10>).
- Use the original Molex 2 positions cable : red wire on PPS-HD Horn Input (neg) position <11> and black wire on battery negative connected to siren.
- Using the cables provided, connect the PC's USB-A outlet to the interface (USB-B port).



Before to configure the PPS-HD siren, you have to prepare the power module to receive the configuration. When the power module is connected to the power supply, with a screwdriver head for example, press on the push button of the power module (1) until the amber led (2) is blinking quickly.
For safety, the power module stops the siren configuration mode after 15 secondes if there is no signal coming from your computer.

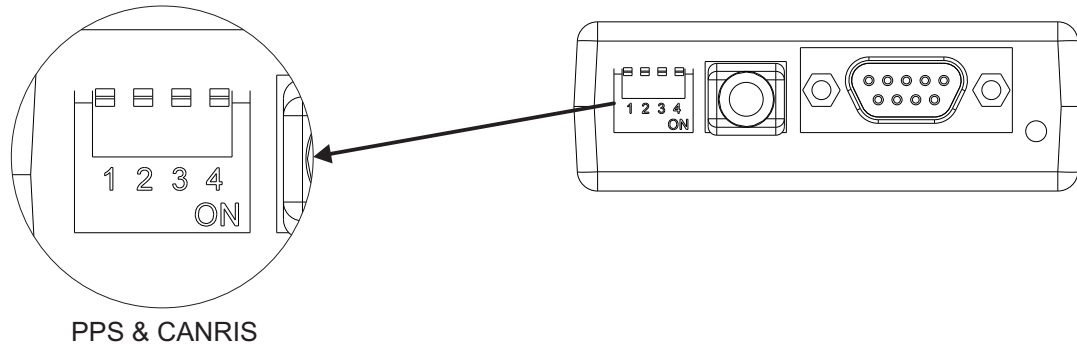


11. PPS HD PPS-HD general configuration (following)

11.2 Configuration with CE-Dongle USB (following)

11.2.4 Loading the configuration into PPS-HD

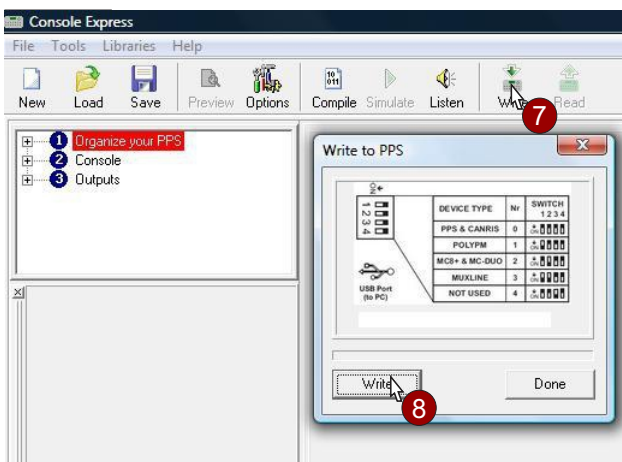
First, check the dipswitch positions on the CE-Dongle interface.



Click on the icon « Write » (7) in the PPS configuration window, then click on the icon « Write » (8) of the small window « Write to PPS ».

The red led on 4 position is blinking slower during the transfert.

Check at the end of process if all the leds 1-4-5 position of the PPS-HD are well blinking 5x quickly to confirm the reception. If not, repeat the process.



The PPS-HD is now configured and can be used following your application made on Console Express.



ATTENTION : It is strongly recommended before sending configuration into PPS-HD, to make a reset of the unit by disconnecting and reconnecting the power supply.

15. **PPS HD**

CONFIGURATION

The PPS-HD siren can be configured either by P.C. (Console Express software) or manually.

To configure with Console Express, you must download the software and ask for an official licence.
See our website : <http://www.ideatec.be/cms/fr/downloads>

The manual configuration is explained in the next pages.

1. To configure with Console Express, push long on the switch (position 10 on the front face of the PPS-HD, behind the little white stopper)

The back face LED Nr.5 must blink quickly.



You are ready to configure, follow the instructions on your Console Express software.

2. To configure manually, repeat step 1 and then make again a long press on the switch.

Back face LED Nr.5 must be ON



When LED Nr.5 is ON you are in a general menu

.Two possibilities:

A. You can continue and reach another menu.

To do so, make a short press on the switch, you go in the next menu.

B. You can go into the menu and change the parameter (e.g.: change the tone).

To go into the menu, you only need to make a long press on the switch. The Led Nr.5 is always blinking when you are into a menu.

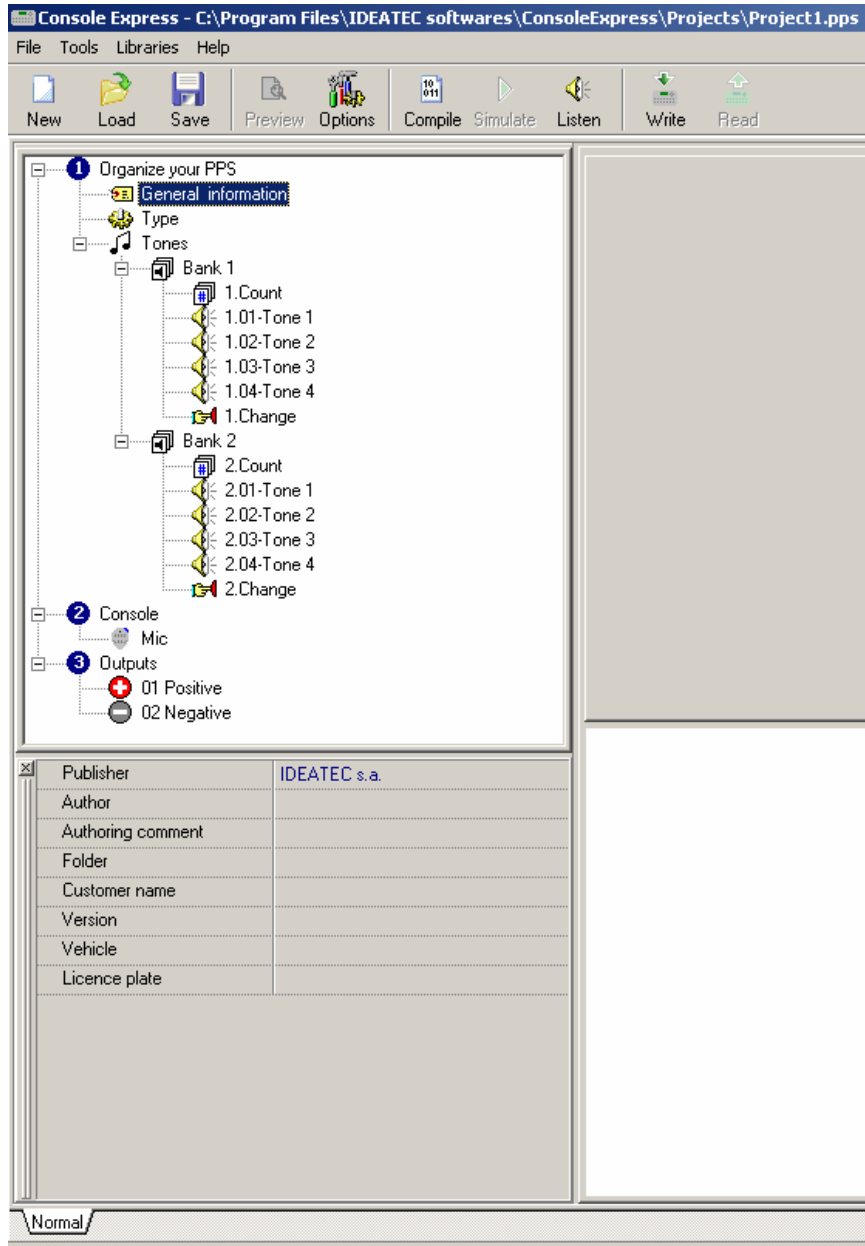
To change the parameter, you only need to make a short press, and stop on the parameter chosen (see table in the next pages).

Once you have chosen the good parameter, make a long press on the switch, it will save your choice.

After this long press, you always come back at the general menu, to reach the next menu, make a short press on the switch (see point A)

12. PPS HD

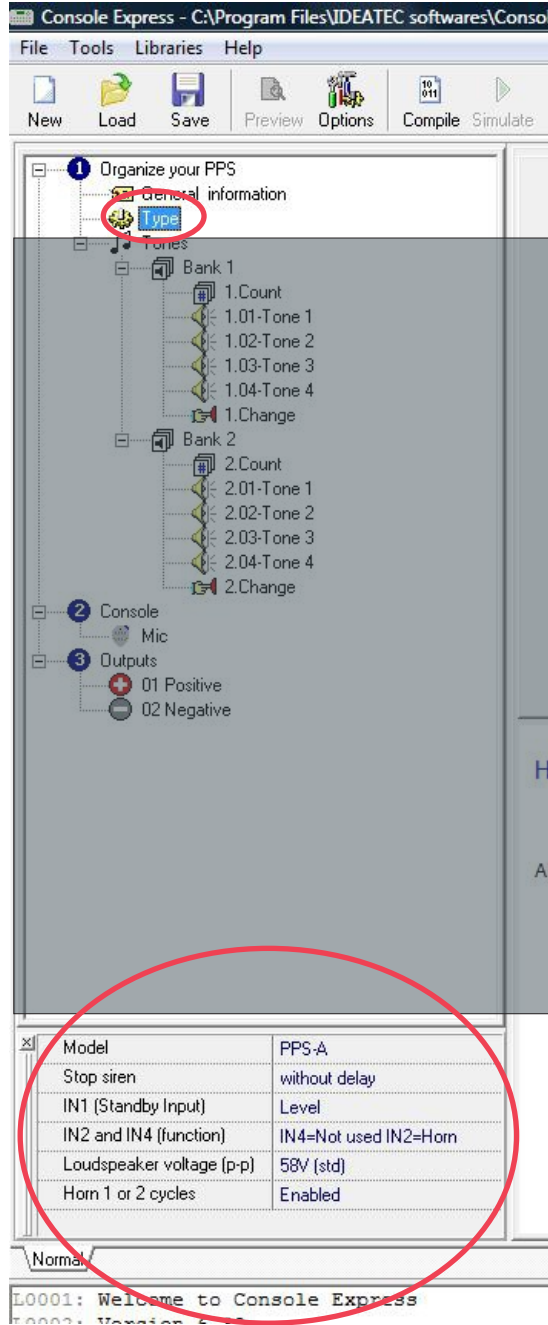
CONFIGURATION



15.1. The general Information menu allows you to put some information about your project but do not have any influence on the PPS-HD siren operations.

CONFIGURATION

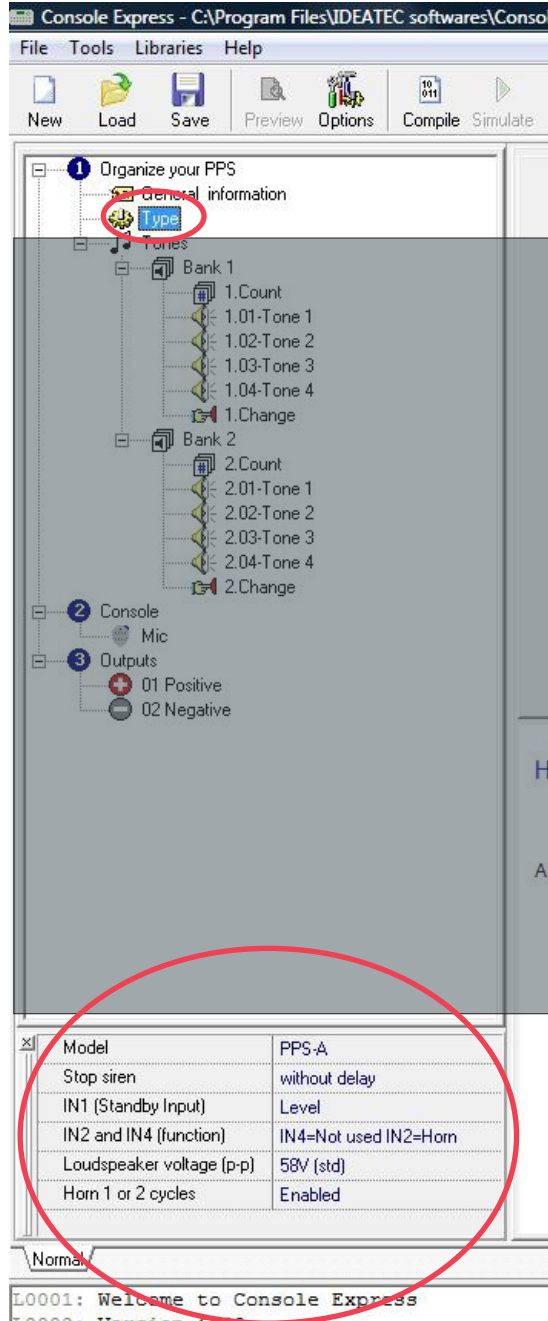
12. PPS HD



15.2. Type	Led 's Monitoring (manual configuration)
15.2.1. Model : This menu defines the PPS-HD model used	
15.2.1.1. PPS/A : The siren is used in stand-alone mode or connected with a microphone	
No other mode is available.	
15.2.2. Stop siren : This menu defines how does the siren stop	
15.2.2.1. Without delay : The siren stops directly when the user shuts of the siren	
15.2.2.2. At the end of the cycle : The siren stops at the end of its cycle after that the user shuts of the siren	
15.2.3. In1 (Standby input) : This menu defines which mode the input In1 has to work	
15.2.3.1. Pulse : Pulse mode (momentary push button)	
15.2.3.2. Level : Level mode (switch)	
15.2.4. In2 et In4 (function) : This menu defines which mode the inputs In1 & In2 have to work	
15.2.4.1. In4: not used, In2: horn : Input 4 not used and In2 controlled bu the horn (from the vehicle)	
15.2.4.2. In4: contact as condition; In2: horn : Input 4 linked to contact as condition and In2 controlled bu the horn (from the vehicle)	
15.2.4.3. In4: horn; In2: brake (IN2 OFF as condition) : Input 4 controlled by the horn (from the vehicle) and input 2 linked to handbrake (reverse condition)	
15.2.4.4. In4: horn; In2: condition (IN2 ON as condition) : Input 4 controlled by the horn (from the vehicle) and input 2 used as negative input condition.	

CONFIGURATION

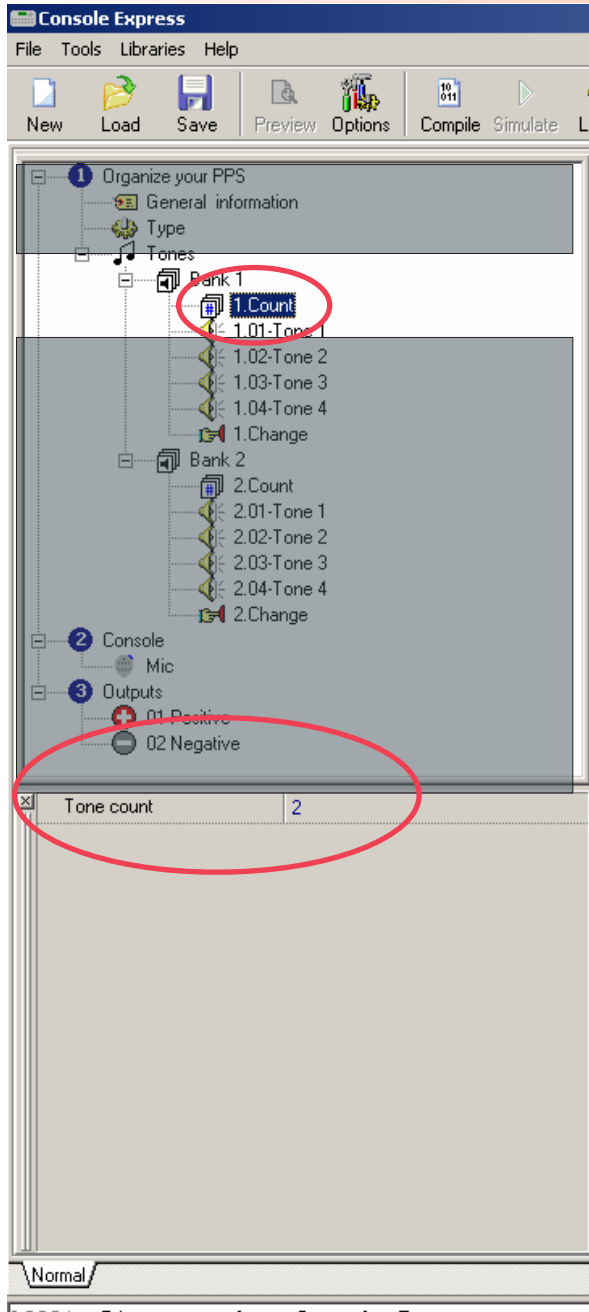
12. PPS HD



15.2. Type (following)	Led 's Monitoring (manual configuration)
15.2.5. Speaker voltage p. to p. : This menu allows to select the maximum voltage on the speaker 's output of the siren. Voltage is minimum 2x supply voltage in any case.	
15.2.5.1. 58V (std) : Maximum output voltage used for example 11ohms/100W	
15.2.5.2. Vbat x 2 : Output voltage is maximum Vbat x 2	
15.2.5.3. 30V : Output voltage is maximum +30V	
15.2.5.4. 40V : Output voltage is maximum +40V	
15.2.5.5. 48V : Output voltage is maximum +48V	
15.2.6. Horn 1 or 2 cycles : This menu allows the siren to start working during 1 or 2 cycles (according to the tone) wen horn from the vehicle is pressed (pulse on In2 or IN4)	
15.2.6.1. Enabled : The siren is working during 1 or 2 cycles if horn is pressed.	
15.2.6.2. Disabled : The siren is not working during 1 or 2 cycles even if horn is pressed.	

12. PPS HD

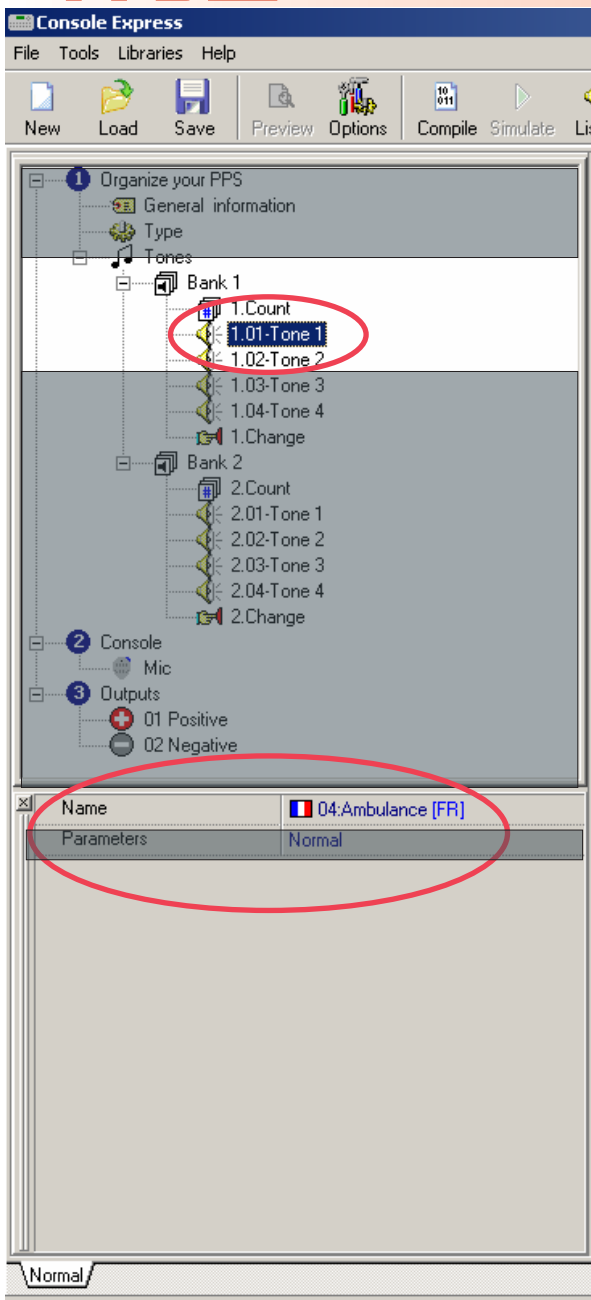
CONFIGURATION



15.3. Tones - Bank 1- Count	Led 's Monitoring (manual configuration)
15.3.1. Tone count : This menu defines how much tones will be used in the Bank 1	
15.3.1.1. "1": 1 tone will be used	
15.3.1.2. "2": 2 tones will be used	
15.3.1.3. "3": 3 tones will be used	
15.3.1.4. "4": 4 tones will be used	

12. PPS HD

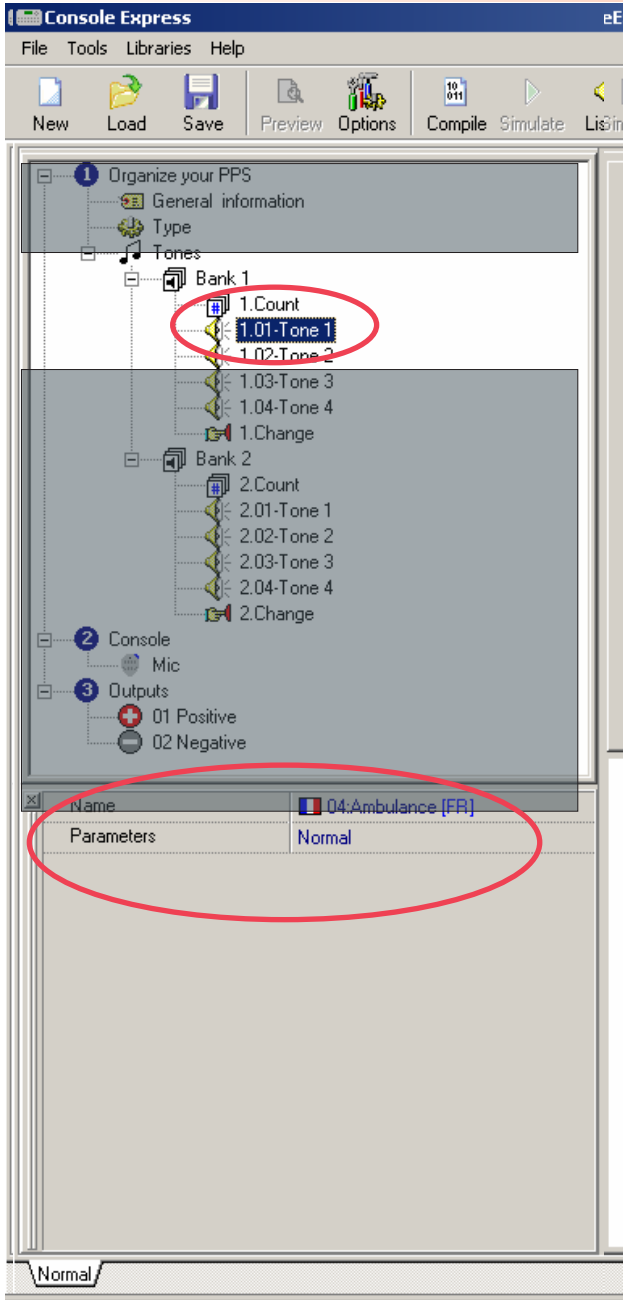
CONFIGURATION



15.4. Tones - Bank 1 - Tone 1		Led 's Monitoring (manual configuration)	
15.4.1. Name : This menu defines the tone 1		15.4.1.15. Reserved	
15.4.1.1. Police (France)		15.4.1.16. Tones slow (Holland)	
15.4.1.2. Gendarmerie (France)		15.4.1.17. Tones fast (Holland)	
15.4.1.3. Fireman (France)		15.4.1.18. Police (Italy)	
15.4.1.4. SAMU (France)		15.4.1.19. Ambulance (Italy)	
15.4.1.5. Ambulance (France)		15.4.1.20. Wail (USA)	
15.4.1.6. Police (Austria)		15.4.1.21. Yelp (USA)	
15.4.1.7. Ambulance (Austria)		15.4.1.22. Hi Lo (USA)	
15.4.1.8. Fireman (Austria)		15.4.1.23. Reserved	
15.4.1.9. Reserved		15.4.1.24. Horn (USA)	
15.4.1.10. Yelp (Germany)		15.4.1.25. Phaser (USA)	
15.4.1.11. Switzerland		15.4.1.26. Reserved	
15.4.1.12. Stadt (Germany)			
15.4.1.13. Land (Germany)			
15.4.1.14. Reserved			

12. PPS HD

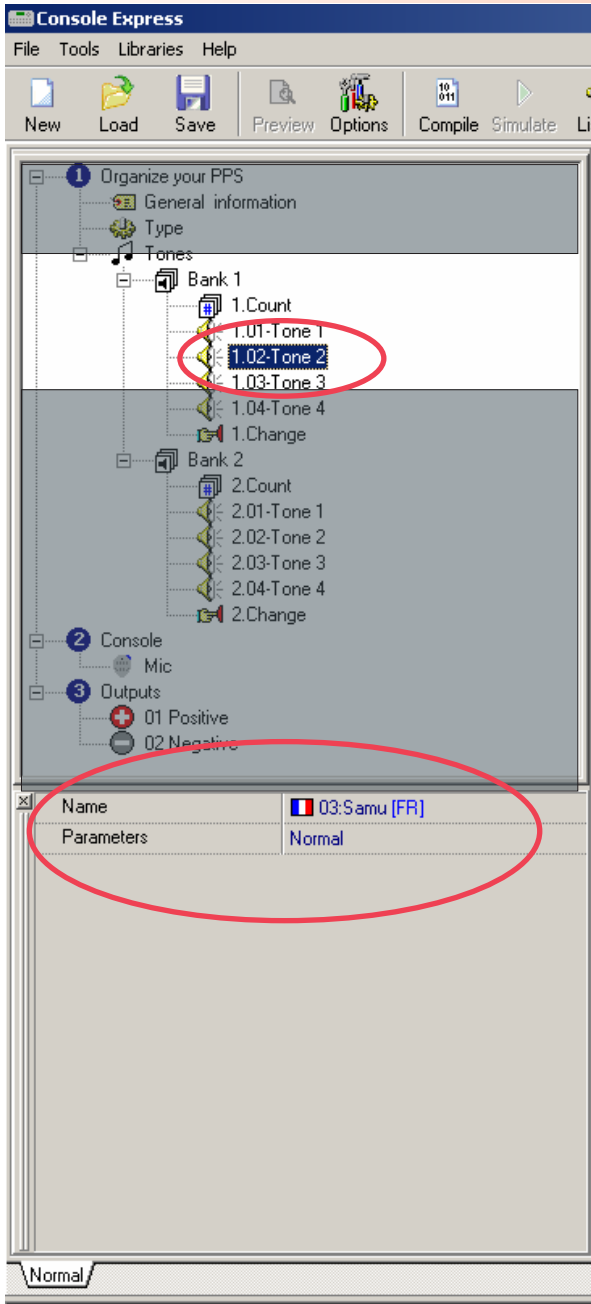
CONFIGURATION



15.4. Tones - Bank 1 - Tone 1	Led 's Monitoring (manual configuration)
15.4.2. Parameters : This menu defines the option for the tone 1 sound	<input checked="" type="radio"/> <input type="radio"/> <input type="radio"/> <input checked="" type="radio"/> <input type="radio"/>
15.4.2.1. Normal	<input type="radio"/> <input type="radio"/> <input type="radio"/> <input type="radio"/> <input checked="" type="radio"/>
15.4.2.2. Night	<input checked="" type="radio"/> <input type="radio"/> <input type="radio"/> <input type="radio"/> <input checked="" type="radio"/>
15.4.2.3. Vibrato	<input type="radio"/> <input checked="" type="radio"/> <input type="radio"/> <input type="radio"/> <input checked="" type="radio"/>
15.4.2.4. Night & Vibrato	<input checked="" type="radio"/> <input checked="" type="radio"/> <input type="radio"/> <input type="radio"/> <input checked="" type="radio"/>

12. PPS HD

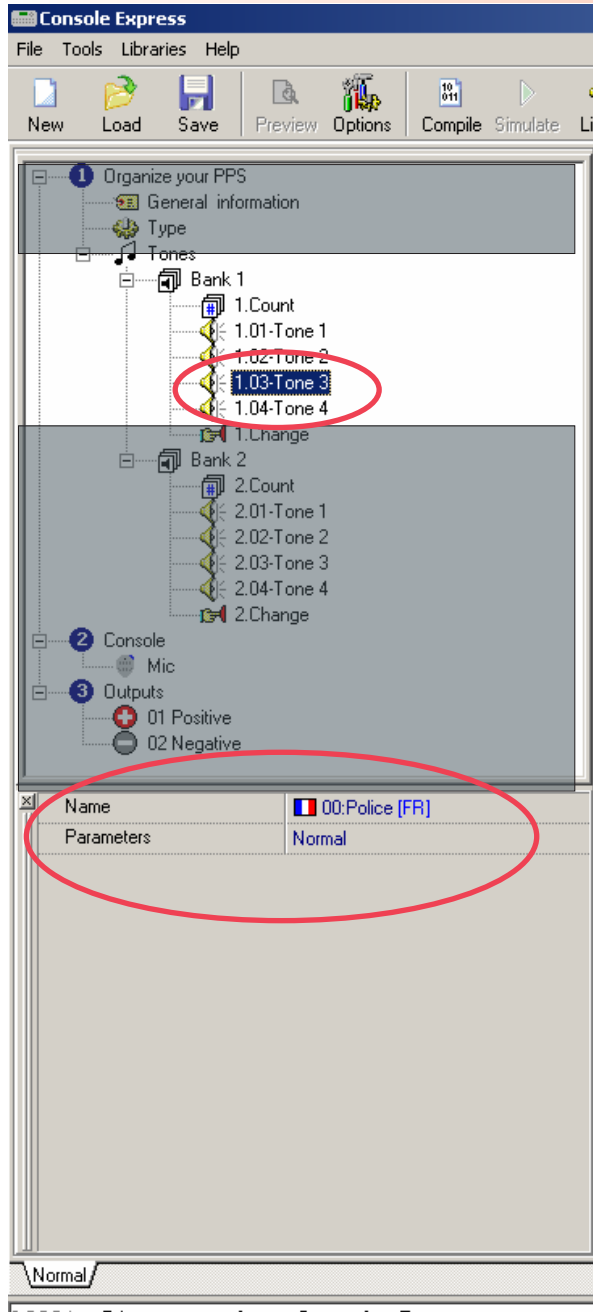
CONFIGURATION



15.5.. Tones - Bank 1 - Tone 2	Led 's Monitoring (manual configuration)
15.5.1. Name : This menu defines the tone 2	<input type="radio"/> <input checked="" type="radio"/> <input type="radio"/> <input type="radio"/> <input type="radio"/>
<i>See table "Name" of Tone 1 p.29</i>	
15.5.2.Parameters : This menu defines the option for the tone 2 sound	<input checked="" type="radio"/> <input checked="" type="radio"/> <input type="radio"/> <input type="radio"/> <input type="radio"/>
<i>See table "Parameters" of Tone 1 p.30</i>	

12. PPS HD

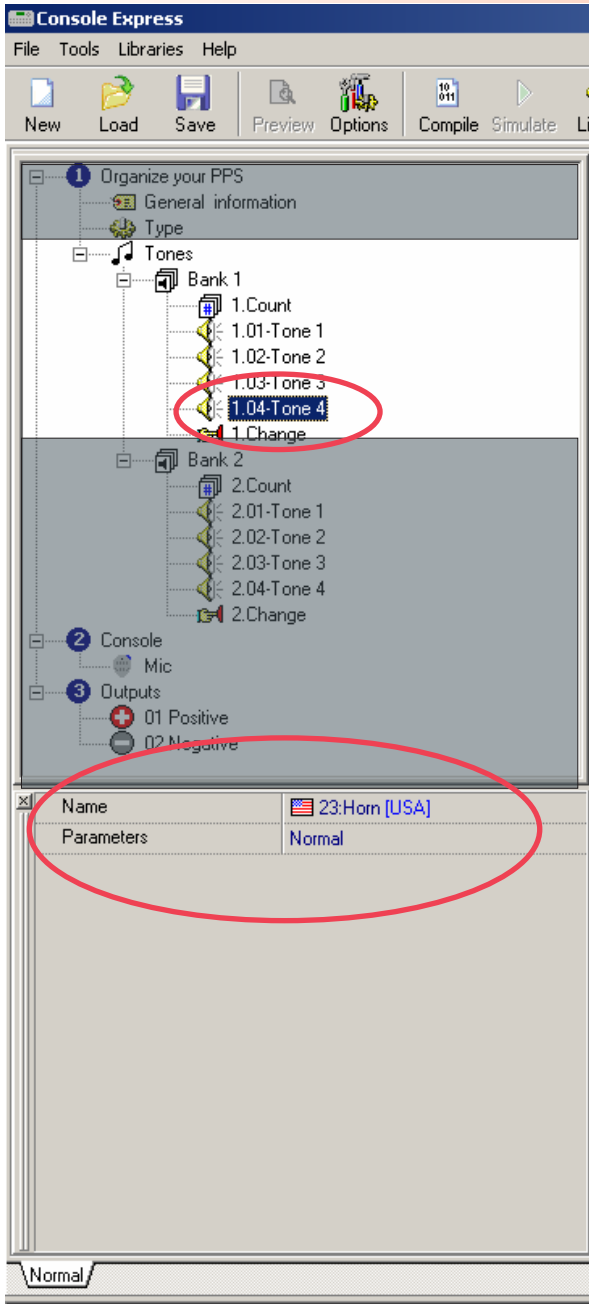
CONFIGURATION



15.6. Tones - Bank 1 - Tone 3	Led 's Monitoring (manual configuration)
15.6.1. Name : This menu defines the tone 3	<input type="radio"/> <input type="radio"/> <input checked="" type="radio"/> <input type="radio"/> <input type="radio"/>
<i>See table "Name" of Tone 1 p.29</i>	
15.6.2. Parameters : This menu defines the option for the tone 3 sound	<input checked="" type="radio"/> <input type="radio"/> <input checked="" type="radio"/> <input type="radio"/> <input type="radio"/>
<i>See table "Parameters" of Tone 1 p.30</i>	

12. PPS HD

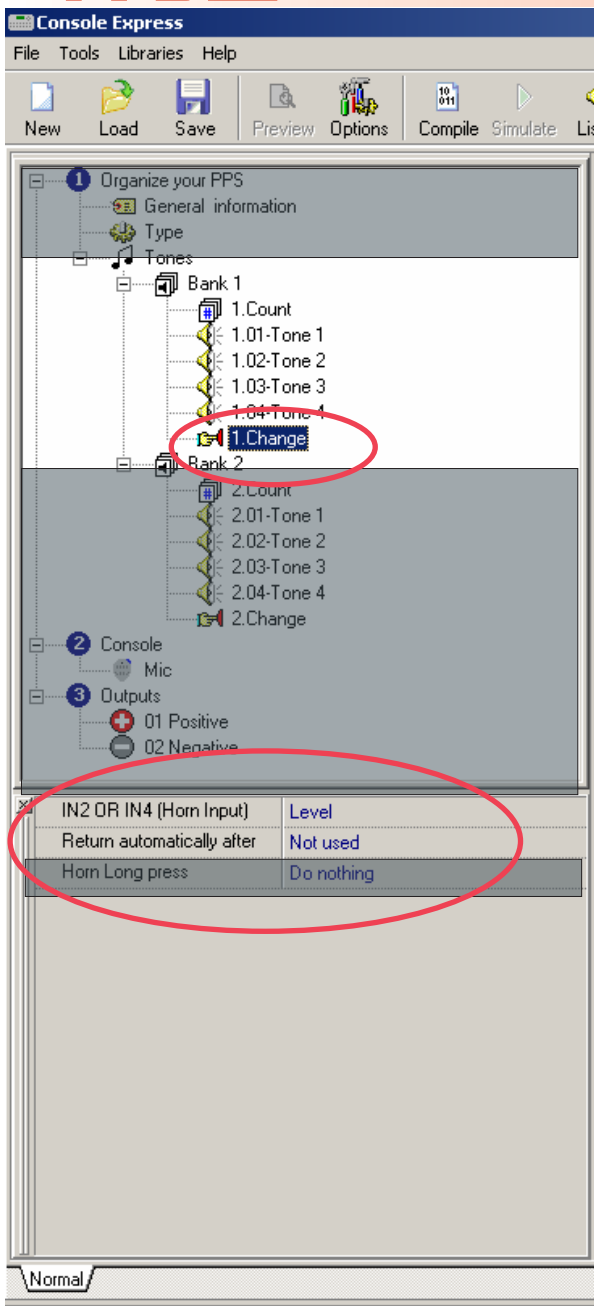
CONFIGURATION



15.7. Tones - Bank 1 - Tone 4	Led 's Monitoring (manual configuration)
15.7.1. Name : This menu defines the tone 4	<input type="radio"/> <input checked="" type="radio"/> <input checked="" type="radio"/> <input checked="" type="radio"/> <input checked="" type="radio"/>
See table "Name" of Tone 1 p.29	
15.7.2.Parameters : This menu defines the option for the tone 4 sound	<input checked="" type="radio"/> <input checked="" type="radio"/> <input checked="" type="radio"/> <input checked="" type="radio"/> <input checked="" type="radio"/>
See table "Parameters" of Tone 1 p.30	

12. PPS HD

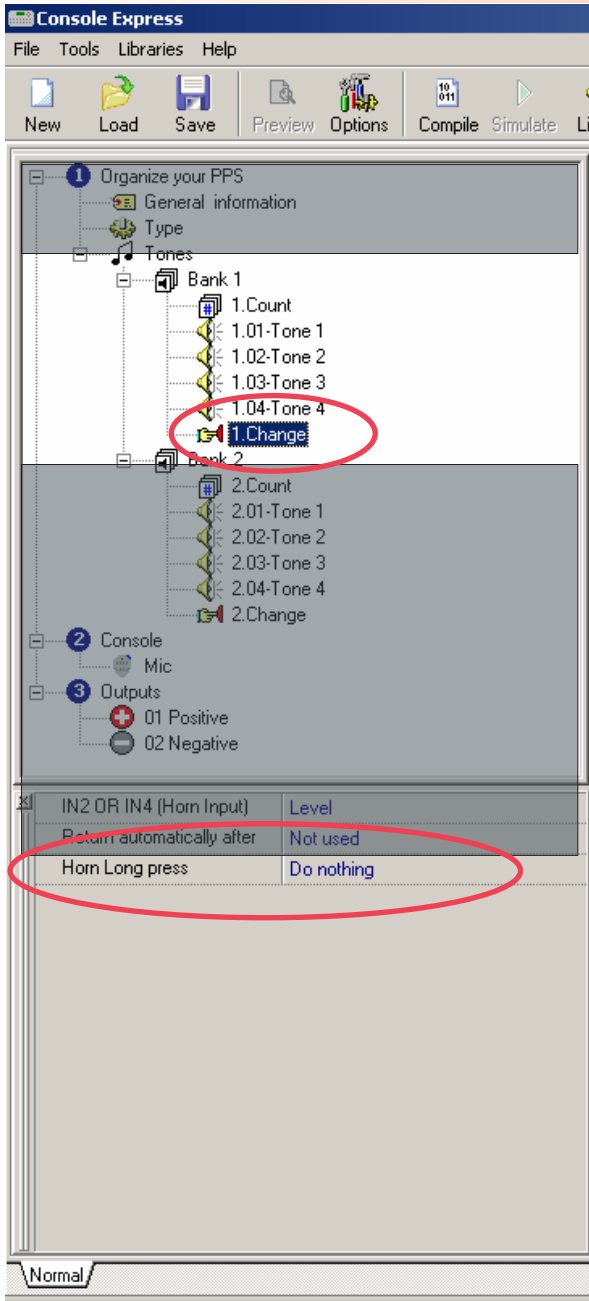
CONFIGURATION



15.8. Tones - Bank 1 - Change	Led 's Monitoring (manual configuration)
15.8.1. In2 or In4 (horn input) : This menu defines the mode of the Input 2 & 4 (Horn input)	
15.8.1.1. None : No tone change	
15.8.1.2. Pulse : Tone change if pulse on the horn input	
15.8.1.3. Level : Tone change if level changes on the horn input (max 2 tones)	
15.8.1.4. Pulse => Start / Long Press => Stop : Siren starts to work if pulse on the horn input then tone changes after pulse on the same input. The siren stops with a long pulse on the horn input.	
15.8.1.5. Pulse => 2 Pulses => Stop : Siren starts to work if pulse on the horn input then tone changes after pulse on the same input. The siren stops with 2 short pulses on the horn input.	
15.8.2. Return automatically after : This menu allows the siren to come back to the tone 1 automaticaaly after tone change.	
15.8.2.1. Not used : no come back to tone 1 after tone change	
15.8.2.2. 2 cycles : back to tone 1 after 2 cycles	
15.8.2.3. 3 cycles : back to tone 1 after 3 cycles	
15.8.2.4. 4 cycles : back to tone 1 after 4 cycles	
15.8.2.5. 5 cycles : back to tone 1 after 5 cycles	
15.8.2.6. 6 cycles :back to tone 1 after 6 cycles	
15.8.2.7. 7 cycles : back to tone 1 after 7 cycles	
15.8.2.8. 8 cycles : back to tone 1 after 8 cycles	

12. PPS HD

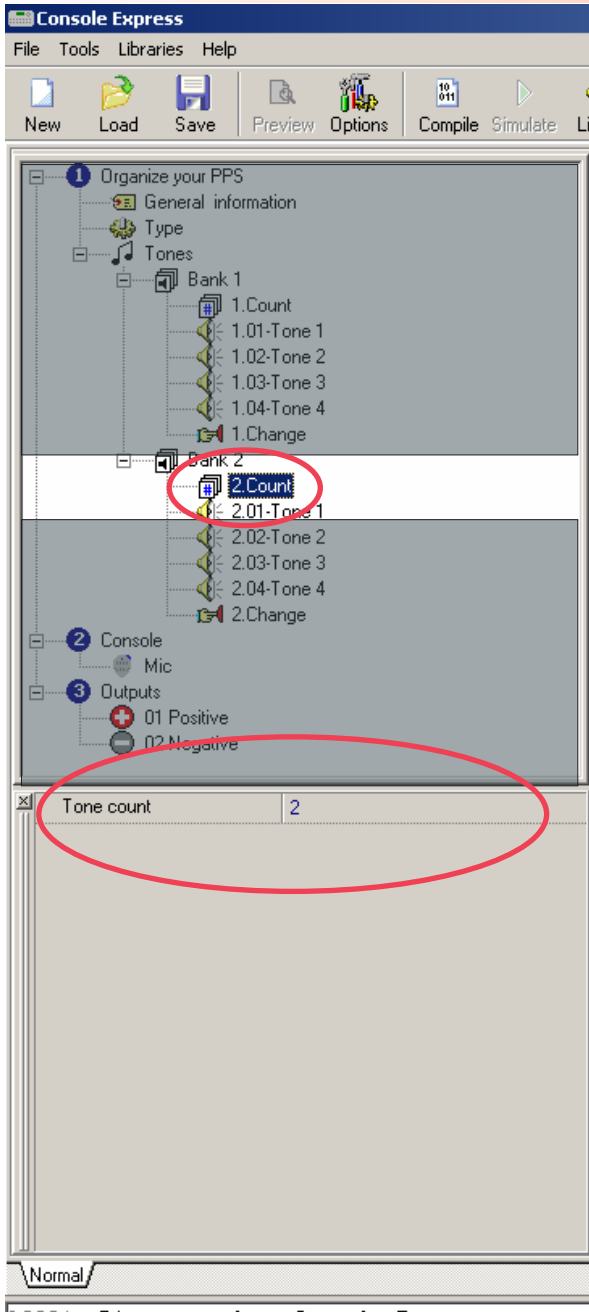
CONFIGURATION



15.8. Tones - Bank 1 - Change (following)	Led 's Monitoring (manual configuration)
15.8.3. Horn Long Press : This menu allows the user to start one tone directly by long press on the horn.	
15.8.3.1. Do nothing : no direct acces to antoher tone.	
15.8.3.2. Tone 1 : direct access to the tone 1 by long press ont the horn (from the vehicle)	
15.8.3.3. Tone 2 : direct access to the tone 2 by long press ont the horn (from the vehicle)	
15.8.3.4. Tone 3 : direct access to the tone 3 by long press ont the horn (from the vehicle)	
15.8.3.5. Tone 4 :direct access to the tone 4 by long press ont the horn (from the vehicle)	

12. PPS HD

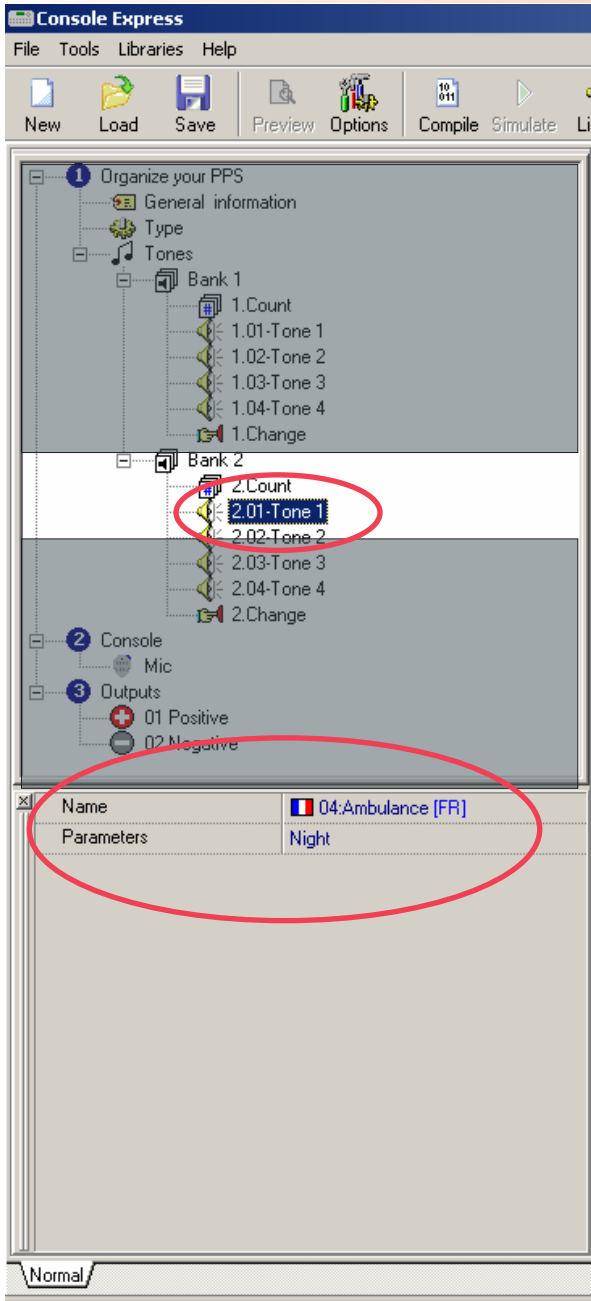
CONFIGURATION





15.9. Tones - Bank 2 - Count	Led 's Monitoring (manual configuration)
15.9.1. Tone count : This menu defines how much tones will be used in the bank 2	
15.9.1.1. "1": 1 tone will be used	
15.9.1.2. "2": 2 tones will be used	
15.9.1.3. "3": 3 tones will be used	
15.9.1.4. "4": 4 tones will be used	

12. PPS HD

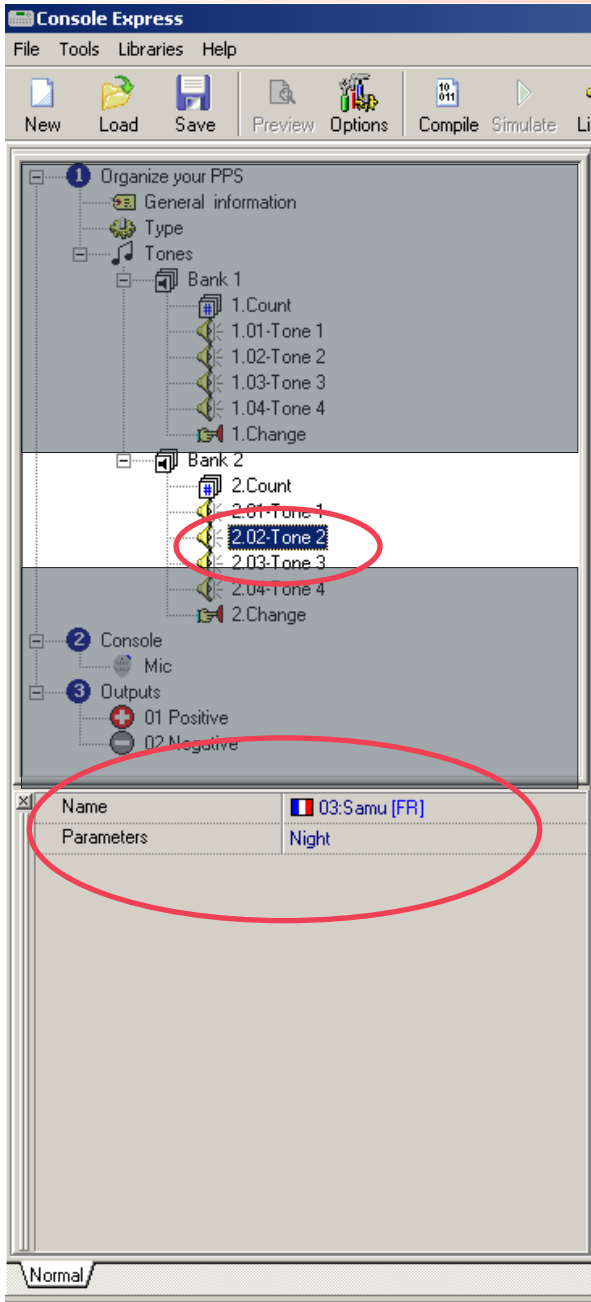
CONFIGURATION





15.10. Tones - Bank 2 - Tone 1	Led 's Monitoring (manual configuration)
15.10.1. Name : This menu defines the tone 1	
See table "Name" of Tone 1 p.29	
15.10.2. Parameters : This menu defines the option for the tone 1 sound	
See table "Parameters" of Tone 1 p.30	

12. PPS HD

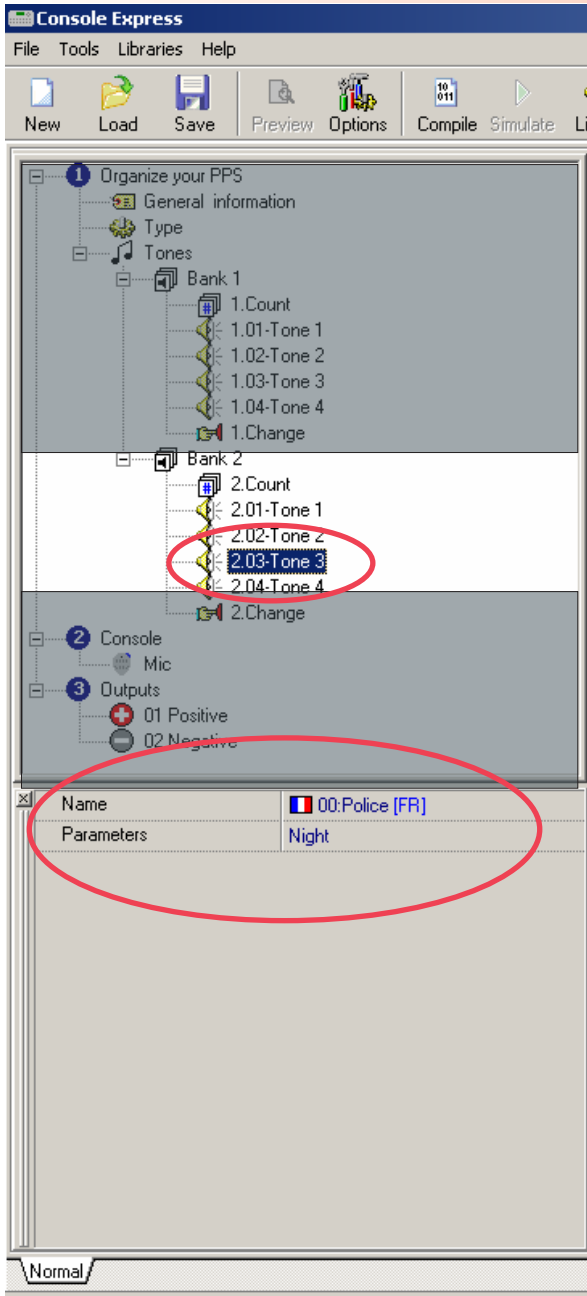
CONFIGURATION





15.11. Tones - Bank 2 - Tone 2	Led 's Monitoring (manual configuration)
15.11.1. Name : This menu defines the tone 2	
See table "Name" of Tone 1 p.29	
15.11.2.Parameters : This menu defines the option for the tone 2 sound	
See table "Parameters" of Tone 1 p.30.	

12. PPS HD

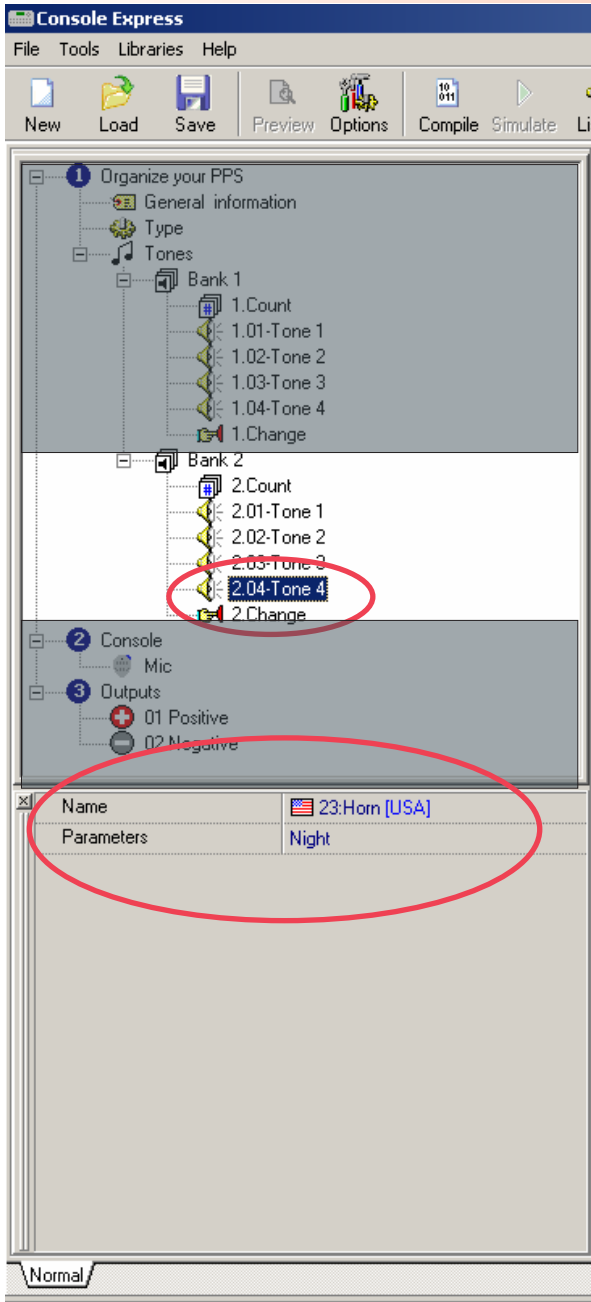
CONFIGURATION



15.12. Tones - Bank 2 - Tone 3	Led 's Monitoring (manual configuration)
15.12.1. Name : This menu defines the tone 3	
See table "Name" of Tone 1 p.29	
15.12.2.Parameters : This menu defines the option for the tone 3 sound	
See table "Parameters" of Tone 1 p.30	

12. PPS HD

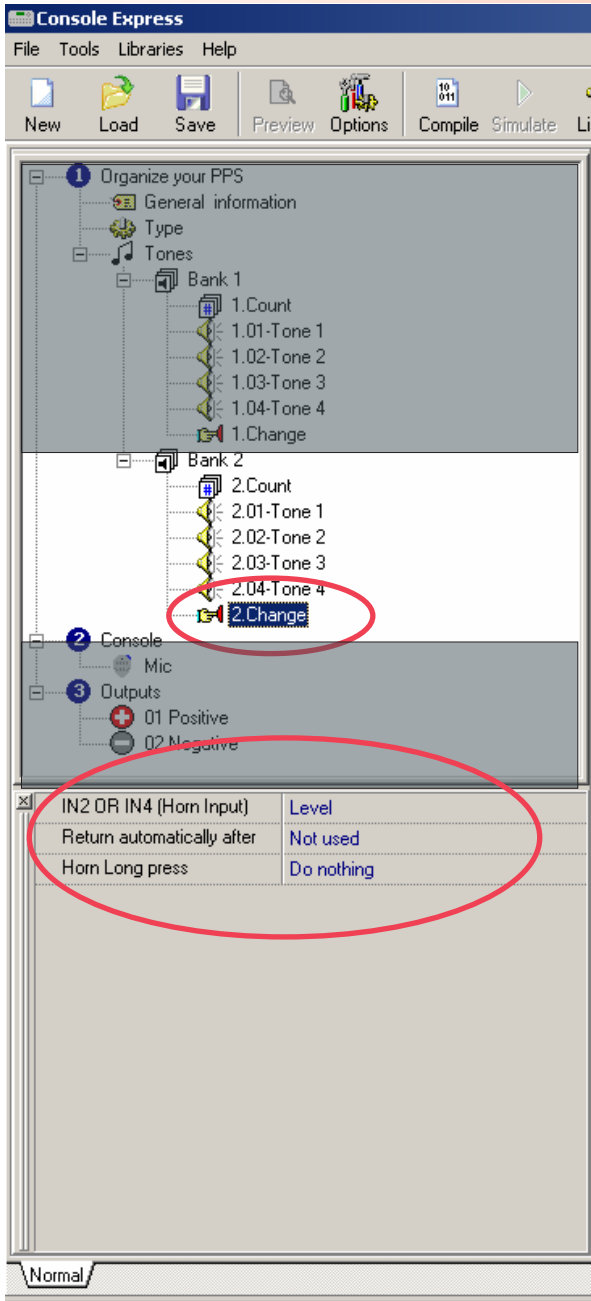
CONFIGURATION



15.13. Tones - Bank 2 - Tone 4	Led 's Monitoring (manual configuration)
15.13.1. Name : This menu defines the tone 4	
<i>See table "Name" of Tone 1 p.29</i>	
15.13.2.Parameters : This menu defines the option for the tone 4 sound	
<i>See table "Parameters" of Tone 1 p.30</i>	

12. PPS HD

CONFIGURATION



15.14. Tones - Bank 2 - Change	Led 's Monitoring (manual configuration)
<p>15.14.1. In2 or In4 (horn input) : This menu defines the mode of the Input 2 & 4 (Horn input)</p> <p><i>See table "In2 o In4" of Bank 1 p.34</i></p>	
<p>15.14.2. Return automatically after : This menu allows the siren to come back to the tone 1 automatically after tone change.</p> <p><i>See table "Return automatically after" of Bank 1 p.34</i></p>	
<p>15.14.3. Horn Long Press : This menu allows the user to start one tone directly by long press on the horn.</p> <p><i>See table "Horn Long press" of Bank 1 p.35</i></p>	

13. **PPS HD**

All our user's guides on one CD-ROM

A CD-ROM with all operating modes is provided with each IDEATEC product



PDF format for easy access,
guaranteed updates,
ecologic.

14. **PPS HD**

Your warranty

IDEATEC S.A hereby guarantees that this product is free from defects in material and workmanship for a period of two years from the date of purchase. If, during the warranty period, the product fails due to material or workmanship defects, IDEATEC S.A. will repair or replace (at IDEATEC S.A.'s discretion) the product free of charge, under the following conditions: IDEATEC S.A. reserves the right (at its own discretion) to replace parts of defective products or replace the products low value with new or factory refurbished parts or products. Conditions:

1. This warranty is valid only if the device is accompanied by the original invoice or receipt (containing the date of purchase, the type of product, and the name of the reseller). IDEATEC S.A. reserves the right to deny its free warranty if the aforementioned documents cannot be produced or if the information contained in them are incomplete or illegible.
2. This warranty does not reimburse or cover deterioration resulting from adaptations or adjustments to the product without prior written consent from IDEATEC S.A., mainly to respect technical or safety standards, national or local, in effect in all countries other than for those for which the product is known and manufactured.
3. This warranty does not apply if the model or serial number on the product has been altered, erased, suppressed, or illegible.
4. This warranty does not cover any of the following points:
 - a. Periodic maintenance and repair or replacement of parts from normal usage;
 - b. Any adaptations or modifications aimed at improving the product such as it has been purchased and described in the operating instructions, without prior written agreement from IDEATEC S.A.;
 - c. Transportation costs, home delivery costs, and all transport risks directly or indirectly associated with this product's warranty;
 - d. Installation, removal, and reinstallation costs;
 - e. Deterioration resulting from:
 1. Misuse, including, without limitation, (a) improper use of the product without respecting IDEATEC S.A.'s instructions on proper product usage and maintenance, and (b) installation or usage of the product against IDEATEC S.A.'s instructions or technical or safety standards in effect in the country where it is used, and (c) improper or incorrect software installation;
 2. Repairs performed by unauthorised repair persons or by the user;
 3. Accidents, lightning, flood, fire, improper ventilation, or any other case that exceeds IDEATEC S.A. liability;
 4. Failure of the system on which the product is installed.
5. This warranty does not limit the client's statutory rights under national laws in effect in any way, nor the client's rights before the reseller, stipulated in the sales/purchasing contract.

TABLE OF CONTENTS

Chapitre 1 : Safety and precautions.....	2
Chapitre 2 : Dimensionning of electric wires.....	2
Chapitre 3 : Product description.....	3
3.1 General description.....	3
3.2 PPS-HD/A.....	3
3.3 PPS-HD/B.....	3
Chapitre 4 : Elements identification	4
4.1 PPS-HD/A	4
4.2 PPS-HD/B.....	5
4.3 Connector AMPSEAL 14P & Crimp contacts.....	6
4.4 Connector Molex 8P & Crimp contacts.....	6
Chapitre 5 : Installation.....	7
5.1 PPS-HD module installation	7
5.2 Installing the IC-Adapter.....	7
Chapitre 6 : Drilling Templates.....	8
6.1 Controlling the template scale after printing.....	8
6.2 PPS-HD Module.....	8
6.2.1 Front View.....	8
6.2.2 Upper view.....	9
Chapitre 7 : Technical characteristics.....	
7.1 General characteristics of the siren module.....	10
7.2 General characteristics of the microphone.....	10
	10
Chapitre 8 : Connecting PPS-HD.....	
8.1 PPS-HD/A.....	11
8.1.1 General connections.....	11
8.1.2 PPS-HD/A Operation of the 4 inputs.....	11
8.2 PPS-HD/B.....	11
8.2.1 General connections.....	12
8.2.2 PPS-HD/B Operation of the 4 inputs.....	12
	12
Chapitre 9 : Configuration Software.....	
9.1 Console Express Introduction.....	13
9.2 Console Express Installation.....	13
	14
Chapitre 10 : PPS-HD Parameters	
10.1 PPS-HD/A & /B Available functions.....	16
10.2 PPS-HD/B Extra functions.....	16
10.3 Available tones list.....	16
10.4 Factory tones.....	16
	16

TABLE OF CONTENTS (following)

Chapitre 11 : PPS-HD General configuration.....	17
11.1 Console Express communication parameters.....	17
11.2 Configuration with the Ce-Dongle USB.....	17
11.2.1 Ce-Dongle Interface	17
11.2.2 Ce-Dongle USB driver installation.....	17
11.2.3 Global diagramme connections.....	18
11.2.4 Loading the configuration into the PPS-HD.....	19
Notes.....	20
 Chapitre 12 : Configuration.....	 21
12.1 General Information.....	22
12.2 Type.....	23
12.2.1 Model.....	23
12.2.2 Stop Siren.....	23
12.2.3 In1 (Standby Input).....	23
12.2.4 In2 & In4 (function).....	23
12.2.5 Speaker voltage p. to p.....	24
12.2.6 Horn 1 or 2 cycles.....	24
12.3 Tones - Bank 1- Nombre.....	25
12.3.1 Tone count.....	25
12.4 Tones - Bank 1 - Tone 1.....	26
12.4.1 Name.....	26
12.4.2 Parameters.....	27
12.5 Tones - Bank 1 - Tone 2.....	28
12.5.1 Name.....	28
12.5.2 Parameters.....	28
12.6 Tones - Bank 1 - Tone 3.....	29
12.6.1 Name.....	29
12.6.2 Parameters.....	39
12.7 Tones - Bank 1 - Tone 4.....	30
12.7.1 Name.....	30
12.7.2 Parameters.....	30
12.8 Tones - Bank 1 - Change.....	31
12.8.1 In2 or In4 (horn input).....	31
12.8.2 Return automatically after.....	31
12.8.3 Horn Long Press.....	32

TABLE OF CONTENTS (following)

12.9 Tones - Bank 2- Count.....	33
12.9.1 Tone - Bank 2 - Tone Count.....	33
12.10 Tones - Bank 2 - Tone 1.....	34
12.10.1 Name.....	34
12.10.2 Parameters.....	34
12.11 Tones - Bank 2 - Tone 2.....	35
12.11.1 Name.....	35
12.11.2 Parameters.....	35
12.12 Tones - Bank 2 - Tone 3.....	36
12.12.1 Name.....	36
12.12.2 Parameters.....	36
12.13 Tones - Bank 2 - Tone 4.....	37
12.13.1 Name.....	37
12.13.2 Parameters.....	37
12.14 Tones - Bank 2 - Change.....	38
12.14.1 In2 or In4 (horn input).....	38
12.14.2 Return automatically after.....	38
12.14.3 Horn Long Press.....	38
Chapitre 13 : All our user guides on one CD-ROM.....	39
Chapitre 14 : Your Warranty	39